

UMETA FLUSH-TYPE GREASE NIPPLES ACCORDING TO DIN 3405

APPLICATION AREA

Flush-type grease nipples are particularly suitable for installations where extending or protruding nipples cannot be used.

VERSIONS

In general, our flush-type grease nipples according to DIN are made of steel, zinc-plated and passivated, and they are featured with a cylindrical thread. Of course, our flush-type nipples are also available in different angle versions, with a self-forming thread, or as drive-in type. We offer various standard types also in brass or stainless steel 1.4305 ~ ASTM 303 (V2A).

Upon request, UMETA manufactures flush-type grease nipples in other versions, with respect to the following:

- dimension
- material
- thread size
- thread form (e. g. with tapered thread)
- opening pressure
- surface colour (e. g. yellow passivated)
- further surface treatment
- etc.

OPERATING INSTRUCTIONS

Flush-type nipples are only suitable for press-greasing by means of a UMETA extension tube or a UMETA push-type grease gun with pin-pointed, pointed, or combi-nozzle.

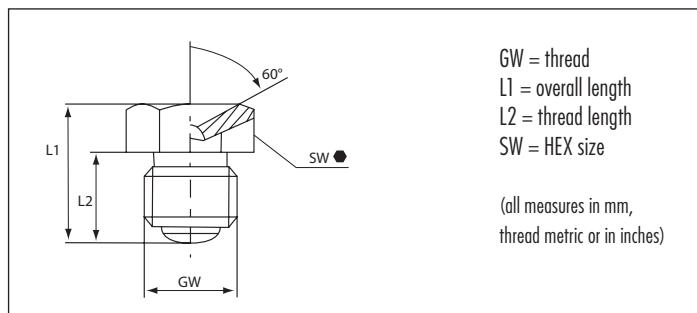


Type D1



Flush-Type Grease Nipples

- according to DIN 3405
- straight version A/180°
- standard versions according to DIN are made of steel, zinc-plated and passivated, with cylindrical thread
- for other types and materials, please see table, or upon request



GW M 5 x 0.8			Ref.- No.:	
L1	L2	SW	Steel	Brass
9	6	7mm HEX	3100720	SST303 SST316L

GW M 6 x 0.75			Ref.- No.:	
L1	L2	SW	Steel	Brass
9	6	7mm HEX	3100723	SST303 SST316L

GW M 6 x 1.0			Ref.- No.:	
L1	L2	SW	Steel	Brass
9	6	7mm HEX	3100724	3110724 3120724

GW M 8 x 1.0			Ref.- No.:	
L1	L2	SW	Steel	Brass
9.5	6.5	9mm HEX	3100925	3110925 3120925

GW M 8 x 1.25			Ref.- No.:	
L1	L2	SW	Steel	Brass
9.5	6.5	9mm HEX	3100926	3110926 3120926

GW M 10 x 1.0			Ref.- No.:	
L1	L2	SW	Steel	Brass
9.5	6.5	11mm HEX	3101127	3111127 3121127

GW M 10 x 1.5			Ref.- No.:	
L1	L2	SW	Steel	Brass
9.5	6.5	11mm HEX	3101128	SST303 SST316L

GW M 12 x 1.5			Ref.- No.:	
L1	L2	SW	Steel	Brass
14	9.5	14mm HEX	3101431	SST303 SST316L

GW G 1/8, 1/8 - 28 BSPP			Ref.- No.:	
L1	L2	SW	Steel	Brass
9.5	6.5	11mm HEX	3101161	3111161 3121161

GW G 1/4, 1/4 - 19 BSPP			Ref.- No.:	
L1	L2	SW	Steel	Brass
14	9.5	14mm HEX	3101462	3111462 3121462

GW G 3/8, 3/8 - 19 BSPP			Ref.- No.:	
L1	L2	SW	Steel	Brass
14.5	9	17mm HEX	3101763	SST303 SST316L

GW 1/4" - 28 NF/UNF/SAE			Ref.- No.:	
L1	L2	SW	Steel	Brass
9	6	7mm HEX	3100742	SST303 SST316L