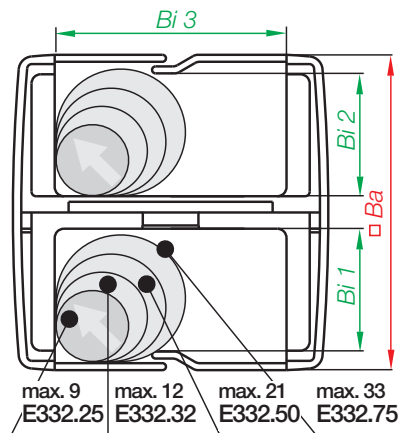
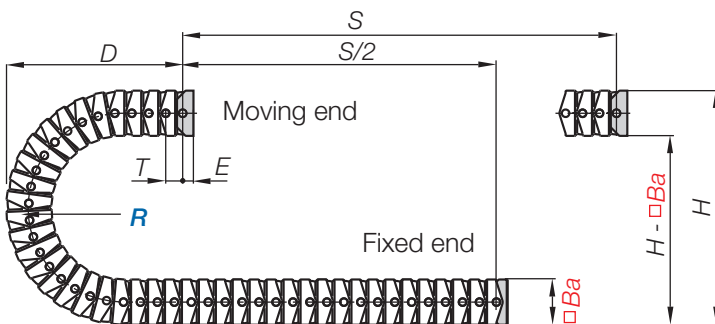


Series E332 | Single-axis movement

easy filling from 2 sides	Bi1/Bi2 [mm]	Bi3 [mm]	Ba [mm]	R Bending radii [mm]	Pitch [mm]	Weight [kg/m]
E332.25.2.R.0	13	25	34	048 075 100 125 150 175 200	14,5	≈ 0,70
E332.32.2.R.0	17	32	50	075 100 125 150 200 250	25	≈ 0,90
E332.50.2.R.0	26	50	68	100 125 150 200 250	30	≈ 1,40
E332.75.2.R.0	38,5	75	96	140 175 200 250 300	36	≈ 2,35

Supplement Part No. with required radius (R) Example: E332.75.2.200.0

Dimensions



E332.25.2	R	048	075	100	125	150	175	200
	H	130	185	235	285	335	385	435
	D	095	125	150	175	200	225	250
	K	195	280	360	440	515	595	675
E332.32.2	R	075	100	125	150	200	250	
	H	200	250	300	350	450	550	
	D	130	155	180	205	255	305	
	K	305	385	465	545	700	865	
E332.50.2	R	100	125	150	200	250		
	H	270	320	375	470	570		
	D	195	220	245	295	345		
	K	435	520	590	750	910		
E332.75.2	R	140	175	200	250	300		
	H	380	450	500	600	700		
	D	240	275	300	350	400		
	K	550	660	740	900	1060		

Series E332.25.2.

Ba	34 mm
Pitch T	14,5 mm/link
Links/m	69 (1000,5 mm)
Dim. E	10 mm
Chain length	$S/2 + K$

Series E332.32.2.

Ba	50 mm
Pitch T	25 mm/link
Links/m	40 (1000 mm)
Dim. E	20 mm
Chain length	$S/2 + K$

Series E332.50.2.

Ba	68 mm
Pitch T	30 mm/link
Links/m	34 (1020 mm)
Dim. E	25 mm
Chain length	$S/2 + K$

Series E332.75.2.

Ba	96 mm
Pitch T	36 mm/link
Links/m	28 (1008 mm)
Dim. E	25 mm
Chain length	$S/2 + K$

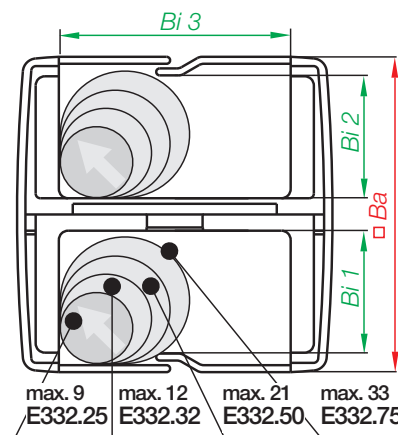
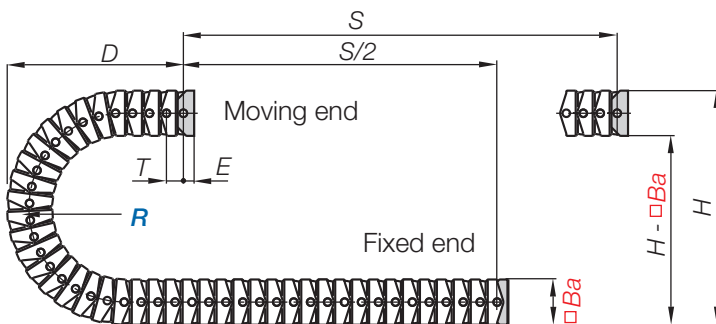


Series E332 | Double-axis movement | With **RBR** (Reversal Bending Radius)

easy filling from 2 sides	Bi1/Bi2 [mm]	Bi3 [mm]	Ba [mm]	R Bending radii [mm]	Pitch [mm]	Weight [kg/m]
E332.25.2 .R/R.0	13	25	34	048 075 100 125 150 175 200	14,5	≈ 0,70
E332.32.2 .R/R.0	17	32	50	075 100 125 150 200 250	25	≈ 0,90
E332.50.2 .R/R.0	26	50	68	100 125 150 200 250	30	≈ 1,40
E332.75.2 .R/R.0	38,5	75	96	140 175 200 250 300	36	≈ 2,35

Supplement Part No. with required radius (R) Example: E332.75.2.200/200.0

Dimensions



E332.25.2	R	048	075	100	125	150	175	200
	H	130	185	235	285	335	385	435
	D	095	125	150	175	200	225	250
	K	195	280	360	440	515	595	675
E332.32.2	R	075	100	125	150	200	250	
	H	200	250	300	350	450	550	
	D	130	155	180	205	255	305	
	K	305	385	465	545	700	865	
E332.50.2	R	100	125	150	200	250		
	H	270	320	375	470	570		
	D	195	220	245	295	345		
	K	435	520	590	750	910		
E332.75.2	R	140	175	200	250	300		
	H	380	450	500	600	700		
	D	240	275	300	350	400		
	K	550	660	740	900	1060		

Series E332.25.2.

Ba	34 mm
Pitch T	14,5 mm/link
Links/m	69 (1000,5 mm)
Dim. E	10 mm
Chain length	$\frac{S}{2} + K$

Series E332.32.2.

Ba	50 mm
Pitch T	25 mm/link
Links/m	40 (1000 mm)
Dim. E	20 mm
Chain length	$\frac{S}{2} + K$

Series E332.50.2.

Ba	68 mm
Pitch T	30 mm/link
Links/m	34 (1020 mm)
Dim. E	25 mm
Chain length	$\frac{S}{2} + K$

Series E332.75.2.

Ba	96 mm
Pitch T	36 mm/link
Links/m	28 (1008 mm)
Dim. E	25 mm
Chain length	$\frac{S}{2} + K$



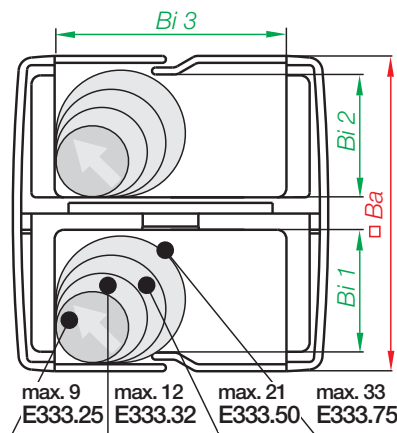
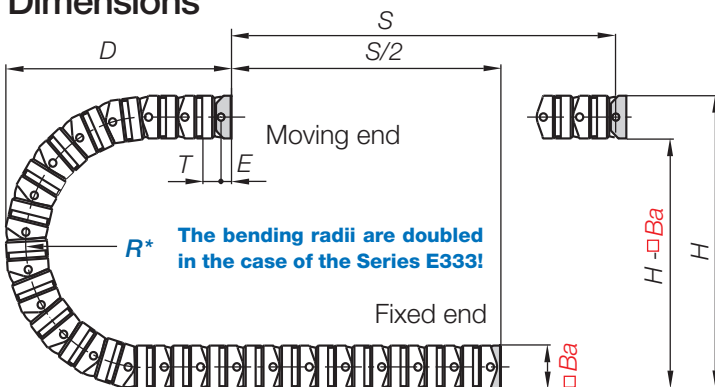
Series E333 | Triple-axis movement | With **RBR** (Reversal Bending Radius)

easy filling from 2 sides	Bi1/Bi2 [mm]	Bi3 [mm]	Ba [mm]	R Bending radii [mm]	Pitch [mm]	Weight [kg/m]
E333.25 .R/R.0	13	25	34	048 075 100 125 150 175 200	14,5	≈ 0,70
E333.32 .R/R.0	17	32	50	075 100 125 150 200 250	25	≈ 0,90
E333.50 .R/R.0	26	50	68	100 125 150 200 250	30	≈ 1,40
E333.75 .R/R.0	38,5	75	96	140 175 200 250 300	36	≈ 2,35

The bending radii are doubled in the case of the Series E333 !

Supplement Part No. with required radius (R) Example: E333.75.200/200.0

Dimensions



E333.25.	R	048	075	100	125	150	175	200
	H	230	335	435	535	635	735	835
	D	145	200	250	300	350	400	450
	K	350	515	675	830	990	1150	1300
E333.32.	R	075	100	125	150	200	250	
	H	350	450	550	650	850	1050	
	D	205	255	305	355	455	555	
	K	545	700	860	1020	1300	1605	
E333.50.	R	100	125	150	200	250		
	H	470	570	670	870	1070		
	D	295	345	395	495	595		
	K	750	910	1070	1380	1690		
E333.75.	R	140	175	200	250	300		
	H	660	800	900	1100	1300		
	D	380	450	500	600	700		
	K	990	1210	1400	1700	2000		

Series E333.25

Ba	34 mm
Pitch T	14,5 mm/link
Links/m	69 (1000,5 mm)
Dim. E	10 mm
Chain length	$\frac{S}{2} + K$

Series E333.32

Ba	50 mm
Pitch T	25 mm/link
Links/m	40 (1000 mm)
Dim. E	20 mm
Chain length	$\frac{S}{2} + K$

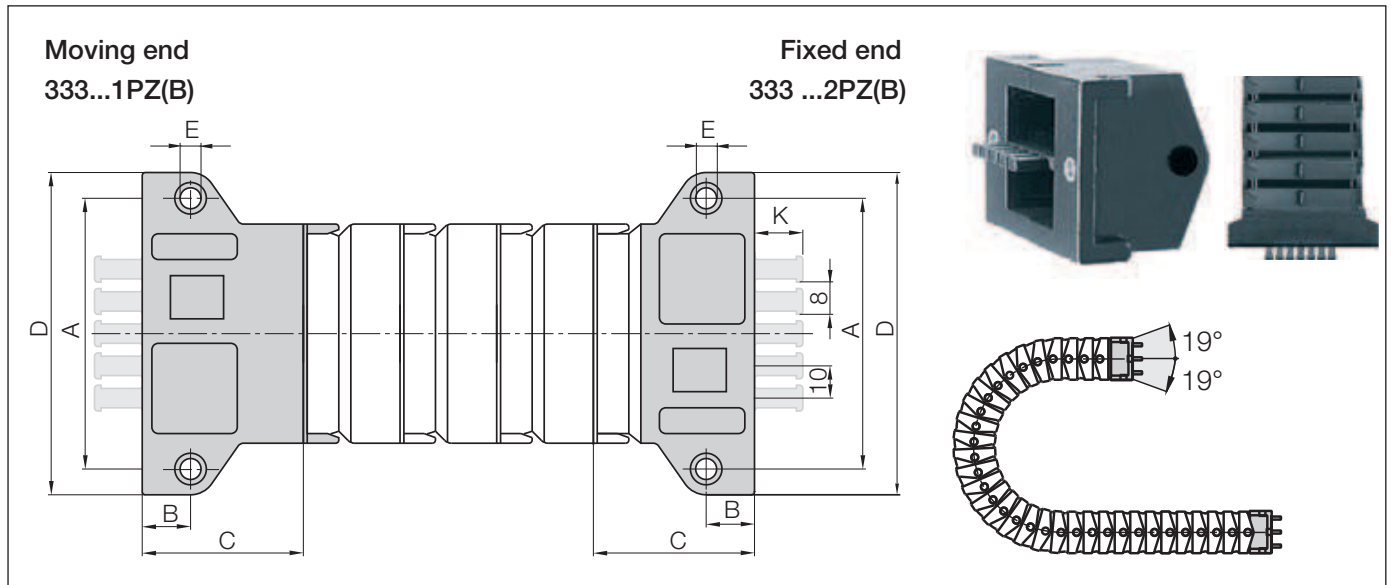
Series E333.50

Ba	68 mm
Pitch T	30 mm/link
Links/m	34 (1020 mm)
Dim. E	25 mm
Chain length	$\frac{S}{2} + K$

Series E333.75

Ba	96 mm
Pitch T	36 mm/link
Links/m	28 (1008 mm)
Dim. E	25 mm
Chain length	$\frac{S}{2} + K$

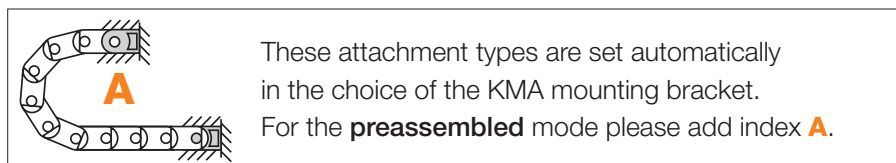
KMA mounting brackets | Attachment on all sides | one side pivoting



KMA, one side pivoting

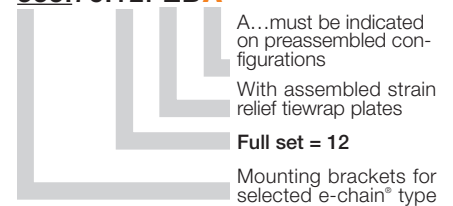
Width Index	Part No. full set with tiewrap plates	Part No. full set without tiewrap plates	Dim. A [mm]	Dim. B [mm]	Dim. C [mm]	Dim. D [mm]	Dim. E [mm]	Dim. F [mm]	Number of teeth
25.2 / 25. ▶	-	333.25.12PZ	43	7	22	52	4,5	-	-
32.2 / 32. ▶	333.32.12PZB	333.32.12PZ	66	15	46	82	6,5	15	3
50.2 / 50. ▶	333.50.12PZB	333.50.12PZ	84	15	50	100	6,5	15	5
75.2 / 75. ▶	333.75.12PZB	333.75.12PZ	109	15	55	125	6,5	15	7

(KMA = Polymer Metal Mounting Bracket)

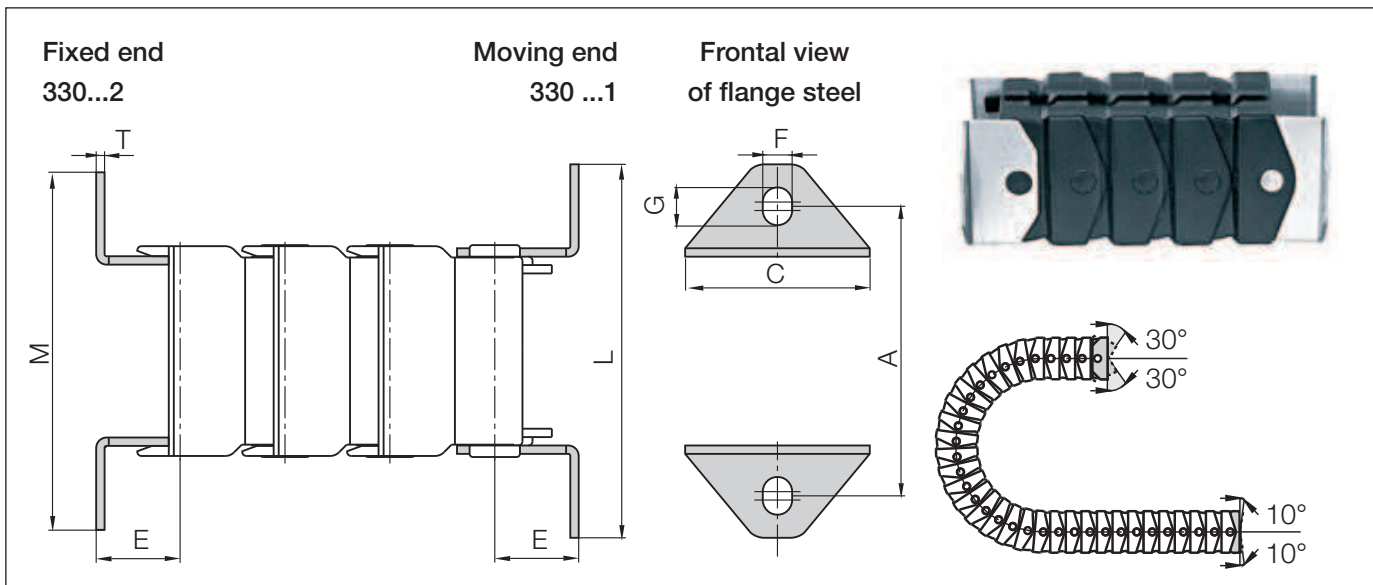


Part No. structure

333.75.12PZB**A**

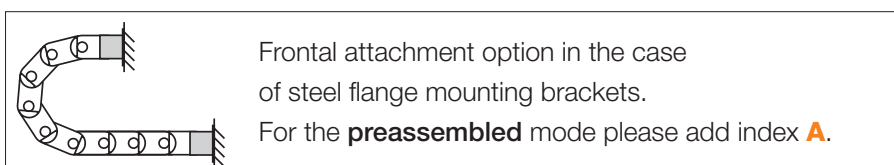


Strain relief e.g. clamps, tiewrap plates, nuggets and plug-in clips are available from stock. The complete chainfix range with order options ▶ from page 656



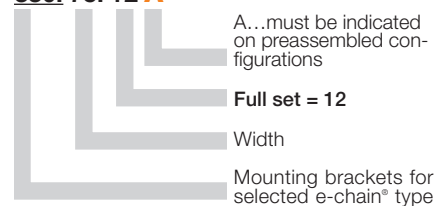
Flange steel | pivoting


Width Index	Part No. full set	Dim. A [mm]	Dim. M [mm]	Dim. C [mm]	Dim. L [mm]	Dim. T [mm]	Dim. E [mm]	Dim. F [mm]	Dim. G [mm]
25.2 / 25.	▶ 330.25.12	44	55	29	55	1,5	10,5	6,5	9
32.2 / 32.	▶ 330.32.12	66	84	44	88	2	20	7	9
50.2 / 50.	▶ 330.50.12	84	102	62	106	2	25	7	9
75.2 / 75.	▶ 330.75.12	109	127	90	131	2	25	7	9



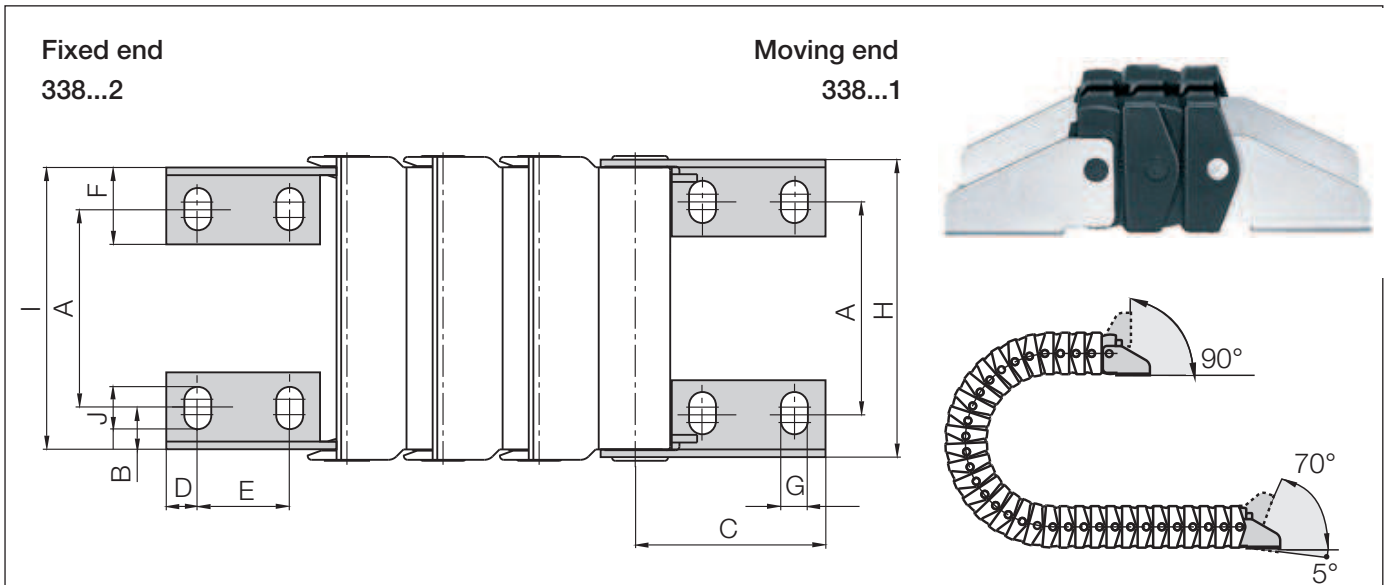
Part No. structure

330. 75. 12 A



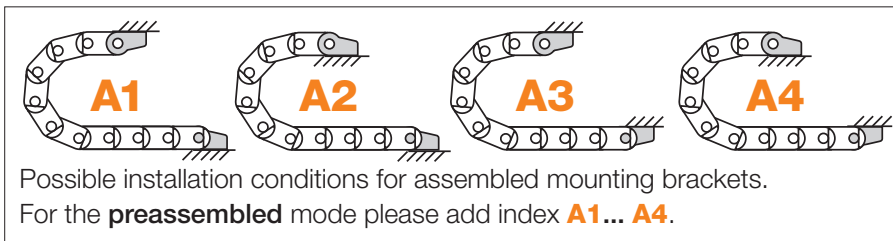
 **Strain relief** e.g. clamps, tiwrap plates, nuggets and plug-in clips are available from stock. The complete chainfix range with order options ▶ from page 656

Mounting brackets, angled, steel | pivoting



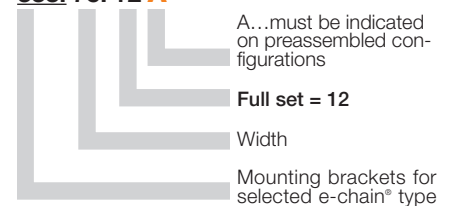
Angled steel bracket | pivoting

Width Index	Part No. full set	Dim. A [mm]	Dim. B [mm]	Dim. C [mm]	Dim. D [mm]	Dim. E [mm]	Dim. F [mm]	Dim. G [mm]	Dim. H [mm]	Dim. I [mm]	Dim. J [mm]
25.2 / 25.	▶ 338.25.12	17	6,25	28	6	16	14	5,5	33,8	31	8,5
32.2 / 32.	▶ 338.32.12	24	5,5	47	8	24	20	7	49	45	11
50.2 / 50.	▶ 338.50.12	42	5,5	77	12	35	24	9	67	62	15
75.2 / 75.	▶ 338.75.12	65	5,5	77	12	35	24	9	95	90	15



Part No. structure

338. 75. 12 A



Strain relief e.g. clamps, tiwrap plates, nuggets and plug-in clips are available from stock. The complete chainfix range with order options ▶ from page 656