



e-chains® | Series E6.62 crossbars every 2nd link (crossbars removable along both radii)

| Part No. e-chains® | <i>Bi</i> [mm] | <i>Ba</i> [mm] | E6.62 [kg/m] | Part No. e-chains® | <i>Bi</i> [mm] | <i>Ba</i> [mm] | E6.62 [kg/m] |
|-----------------------|-------------------|-------------------|-----------------|-----------------------|-------------------|-------------------|-----------------|
| E6.62.05. <i>R.0</i> | 50 | 86 | 3,22 | E6.62.212. <i>R.0</i> | 212 | 248 | 3,78 |
| E6.62.06. <i>R.0</i> | 68 | 104 | 3,28 | E6.62.23. <i>R.0</i> | 225 | 261 | 3,83 |
| E6.62.07. <i>R.0</i> | 75 | 111 | 3,31 | E6.62.237. <i>R.0</i> | 237 | 273 | 3,87 |
| E6.62.087. <i>R.0</i> | 87 | 123 | 3,35 | E6.62.25. <i>R.0</i> | 250 | 286 | 3,91 |
| E6.62.097. <i>R.0</i> | 97 | 133 | 3,38 | E6.62.262. <i>R.0</i> | 262 | 298 | 3,95 |
| E6.62.10. <i>R.0</i> | 100 | 136 | 3,39 | E6.62.28. <i>R.0</i> | 275 | 311 | 4,00 |
| E6.62.11. <i>R.0</i> | 108 | 144 | 3,42 | E6.62.29. <i>R.0</i> | 287 | 323 | 4,04 |
| E6.62.112. <i>R.0</i> | 112 | 148 | 3,43 | E6.62.30. <i>R.0</i> | 300 | 336 | 4,09 |
| E6.62.12. <i>R.0</i> | 125 | 161 | 3,48 | E6.62.312. <i>R.0</i> | 312 | 348 | 4,13 |
| E6.62.137. <i>R.0</i> | 137 | 173 | 3,52 | E6.62.325. <i>R.0</i> | 325 | 361 | 4,17 |
| E6.62.15. <i>R.0</i> | 150 | 186 | 3,57 | E6.62.337. <i>R.0</i> | 337 | 373 | 4,21 |
| E6.62.162. <i>R.0</i> | 162 | 198 | 3,61 | E6.62.350. <i>R.0</i> | 350 | 386 | 4,26 |
| E6.62.17. <i>R.0</i> | 168 | 204 | 3,63 | E6.62.362. <i>R.0</i> | 362 | 398 | 4,30 |
| E6.62.18. <i>R.0</i> | 175 | 211 | 3,65 | E6.62.375. <i>R.0</i> | 375 | 411 | 4,35 |
| E6.62.187. <i>R.0</i> | 187 | 223 | 3,69 | E6.62.387. <i>R.0</i> | 387 | 423 | 4,39 |
| E6.62.20. <i>R.0</i> | 200 | 236 | 3,74 | E6.62.400. <i>R.0</i> | 400 | 436 | 4,43 |

Available bending radii *R* [mm] 115 | 150 | 200 | 250 | 300 | 350

Supplement Part No. with required radius (*R*). Example:

E6.62.10.250.0 = e-chain® with crossbars every 2nd link, inner width *Bi* 100 mm, radius *R* 250 mm, color black

Optional: Support tray tool kit.

For support of the lower run.

Simple one-piece support trays according to your requirements and specification.

The complete range with order options ► from page 740



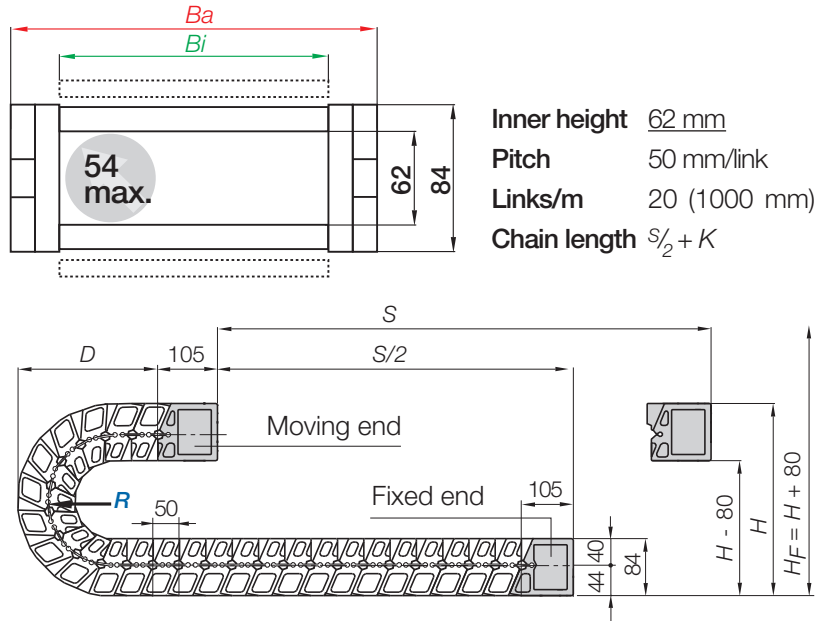
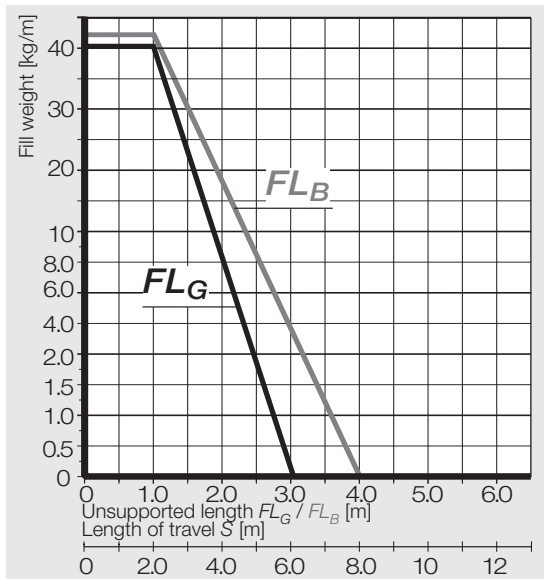


▶ 656



▶ 710

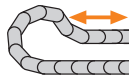
Unsupported applications | Short travels



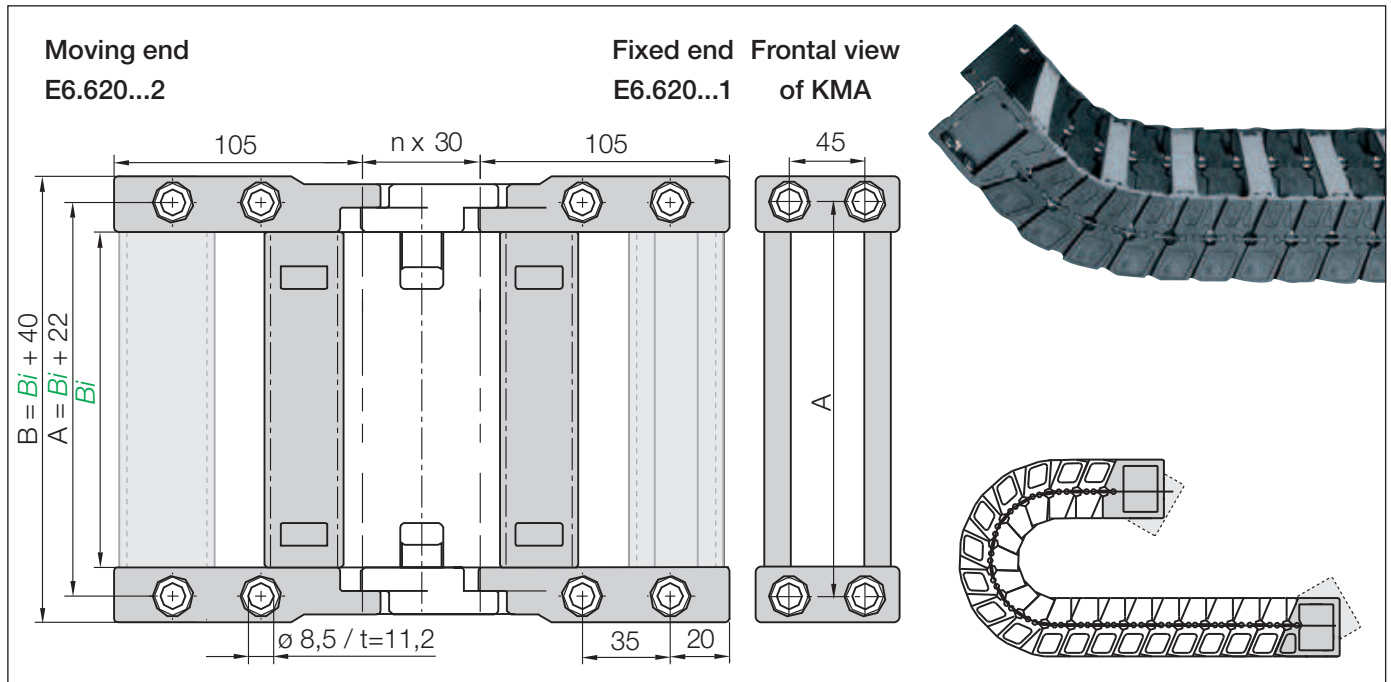
Inner height 62 mm
Pitch 50 mm/link
Links/m 20 (1000 mm)
Chain length $\frac{S}{2} + K$

| R | 115 | 150 | 200 | 250 | 300 | 350 |
|---|-----|-----|-----|-----|------|------|
| H | 388 | 458 | 558 | 658 | 758 | 858 |
| D | 234 | 269 | 319 | 369 | 419 | 469 |
| K | 465 | 575 | 730 | 890 | 1045 | 1200 |

The required clearance height: $H_F = H + 80$ mm (with 2,0 kg/m fill weight)



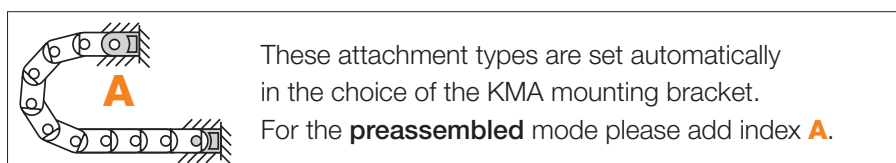
If you need this series for gliding applications, please consult igus®!



KMA pivoting | Recommended for unsupported applications | Standard

| Width Index | Part No. full set KMA pivoting: (optional with C-profile) | Dim. A [mm] | Dim. B [mm] | Bi [mm] | Width Index | Part No. full set KMA pivoting: (optional with C-profile) | Dim. A [mm] | Dim. B [mm] | Bi [mm] |
|-------------|---|-------------|-------------|---------|-------------|---|-------------|-------------|---------|
| 05. | E6.620.05. 12.C | 72 | 90 | 50 | 212. | E6.620.212.12.C | 234 | 252 | 212 |
| 06. | E6.620.06. 12.C | 90 | 108 | 68 | 23. | E6.620.23. 12.C | 247 | 265 | 225 |
| 07. | E6.620.07. 12.C | 97 | 115 | 75 | 237. | E6.620.237.12.C | 259 | 277 | 237 |
| 087. | E6.620.087.12.C | 109 | 127 | 87 | 25. | E6.620.25. 12.C | 272 | 290 | 250 |
| 097. | E6.620.097.12.C | 119 | 137 | 97 | 262. | E6.620.262.12.C | 284 | 302 | 262 |
| 10. | E6.620.10. 12.C | 122 | 140 | 100 | 28. | E6.620.28. 12.C | 297 | 315 | 275 |
| 11. | E6.620.11. 12.C | 130 | 148 | 108 | 29. | E6.620.29. 12.C | 309 | 327 | 287 |
| 112. | E6.620.112.12.C | 134 | 152 | 112 | 30. | E6.620.30. 12.C | 322 | 340 | 300 |
| 12. | E6.620.12. 12.C | 147 | 165 | 125 | 312. | E6.620.312.12.C | 334 | 352 | 312 |
| 137. | E6.620.137.12.C | 159 | 177 | 137 | 325. | E6.620.325.12.C | 347 | 365 | 325 |
| 15. | E6.620.15. 12.C | 172 | 190 | 150 | 337. | E6.620.337.12.C | 359 | 377 | 337 |
| 162. | E6.620.162.12.C | 184 | 202 | 162 | 350. | E6.620.350.12.C | 372 | 390 | 350 |
| 17. | E6.620.17. 12.C | 190 | 208 | 168 | 362. | E6.620.362.12.C | 384 | 402 | 362 |
| 18. | E6.620.18. 12.C | 197 | 215 | 175 | 375. | E6.620.375.12.C | 397 | 415 | 375 |
| 187. | E6.620.187.12.C | 209 | 227 | 187 | 387. | E6.620.387.12.C | 409 | 427 | 387 |
| 20. | E6.620.20. 12.C | 222 | 240 | 200 | 400. | E6.620.400.12.C | 422 | 440 | 400 |

(KMA = Polymer Metal Mounting Bracket)



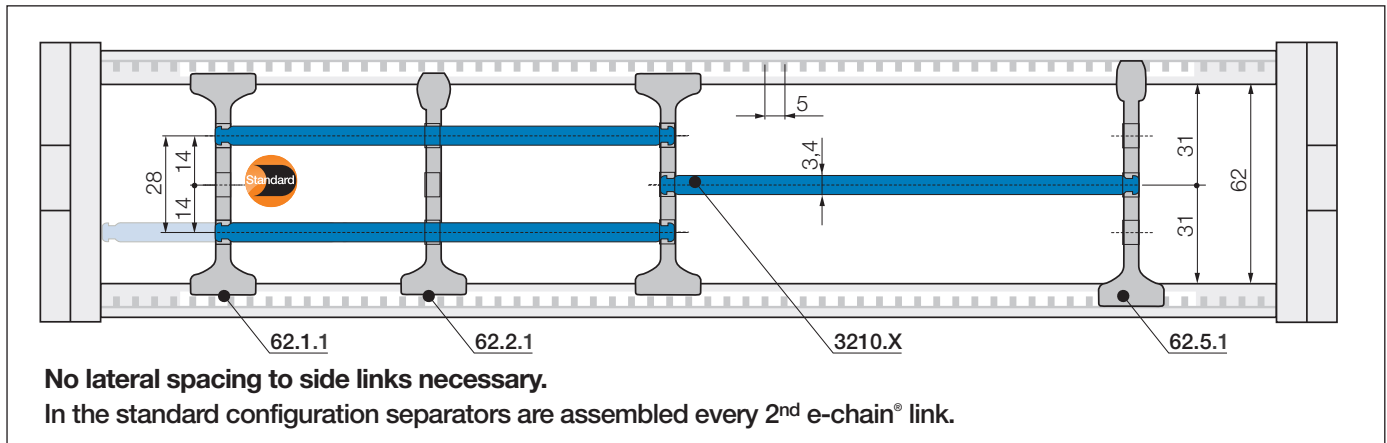

E6.620.10.12.CA Part No. structure

- A... must be indicated on preassembled configurations
- C-profile option
- Full set
- Width index
- Series

 **Strain relief** e.g. clamps, tiwrap plates, nuggets and plug-in clips are available from stock. The complete chainfix range with order options ► from page 656

Interior separation | New generation

Previous interior separation with optional elements ► www.igus.eu/E6.62





Standard separator, wide base

| | |
|-------------|---------------|
| unassembled | 62.1 |
| assembled | 62.1.1 |

Standard - for all applications

Separator with a wide base for maximum locking strength and safe standing in e-chains®.




Separator for QuickLock crossbar

| | |
|-------------|---------------|
| unassembled | 62.2 |
| assembled | 62.2.1 |

For even faster installation

Separator for igus® QuickLock crossbar 385.X.Q. Firm hold to one side with a wide base, narrow on opposed side for easy cable assembly (slight grip).




Notch separator for notch crossbar*

| | |
|-------------|---------------|
| unassembled | 62.5 |
| assembled | 62.5.1 |

Locks safely in 5 mm increments

Notch separator for exact positioning in e-chains®. Recommended for side-mounted applications.



Full-width shelf, lockable

| | |
|-------------|---------------|
| unassembled | 3200.X |
| assembled | 3210.X |

Horizontal separation

Shelf locks safely into separators on both ends, fixed width possible. Separators can be moved freely over the shelf in horizontal direction. Can be arranged at 3 different heights.

Lockable full-width shelves



| Width X [mm] | unassembled | assembled | Width X [mm] | unassembled | assembled | Width X [mm] | unassembled | assembled |
|--------------|-----------------|-----------------|--------------|-----------------|-----------------|--------------|-----------------|-----------------|
| 050 | 3200.050 | 3210.050 | 125 | 3200.125 | 3210.125 | 225 | 3200.225 | 3210.225 |
| 075 | 3200.075 | 3210.075 | 150 | 3200.150 | 3210.150 | 250 | 3200.250 | 3210.250 |
| 100 | 3200.100 | 3210.100 | 175 | 3200.175 | 3210.175 | | | |
| 115 | 3200.115 | 3210.115 | 200 | 3200.200 | 3210.200 | | | |