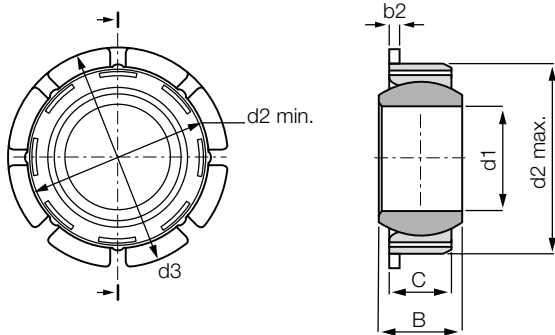


## Self-aligning clip bearing: EGFM-T



- Maintenance free, dry-running
- Easy to fit
- Max. tolerance compensation  $\pm 0.2$  mm



### Order key

Type      Size      Version

**E** **GF** **M** - **08**      **T**

Dimensional series E

Self-aligning bearing with flange

Metric

Inner-Ø d1 [mm]

Tolerance compensation



### Material:

Housing: igumid G ► Page 1235

Spherical balls: iglidur® W300 ► Page 121

Other spherical balls on request ► Page 693

## Technical data

Part No.	Max. stat. compressive force (short term)		Max. stat. compressive force (long term)		Weight [g]
	radial	axial	radial	axial	
	[N]	[N]	[N]	[N]	
EGFM-08 T SL <sup>31)</sup>	1,100	150	550	75	0.9
EGFM-10 T	1,900	220	950	110	2.4
EGFM-12 T	2,500	270	1,250	135	3.0
EGFM-16 T	6,000	600	3,000	300	6.6
EGFM-20 T	9,000	800	4,500	400	11.1
EGFM-25 T	14,000	2,800	7,000	1,400	19.0
EGFM-30 T	17,000	3,000	8,500	1,500	24.0

## Dimensions [mm]

Part No.	d1	d2		d3	C	B	b2	Housing		Max. pivot angle
		min.	max.					min.	max.	
EGFM-08 T SL <sup>31)</sup>	8 (H10)	15.8	16.5	18	5.0	6	1.1	15.8	16.2	11°
EGFM-10 T	10 (E10)	20.8	21.6	26	6.0	9	1.0	20.8	21.2	24°
EGFM-12 T	12 (E10)	22.8	23.6	28	7.0	10	1.0	22.8	23.2	21°
EGFM-16 T	16 (E10)	29.8	30.6	35	9.5	13	1.5	29.8	30.2	21°
EGFM-20 T	20 (E10)	34.8	35.6	42	12.0	16	2.0	34.8	35.2	18°
EGFM-25 T	25 (E10)	41.8	42.6	50	16.0	20	2.0	41.8	42.2	16°
EGFM-30 T	30 (E10)	46.8	47.6	55	18.0	22	2.0	46.8	47.2	13°

<sup>31)</sup> Spherical ball made of iglidur® J