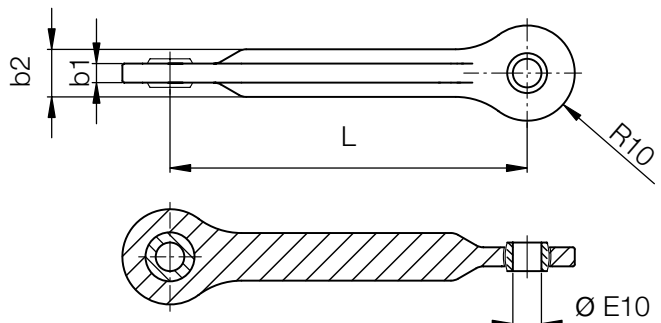


igubal® Double Joint | Product Range

Double joint: EGXM



Order key

EGXM-06-75



- Double joint, turned 90°
- Easy to fit
- Custom-design, with or without ball stud
- Maintenance-free iglidur® W300 spherical ball



Material:

Housing: **igumid G** ▶ page 983

Spherical ball: **variabel** ▶ page 667

Technical Data and Dimensions [mm]

Part number	Max. permitted tensile force		Max. permitted compressive strength		ø Spherical ball d	Centre distance L	Head thickness b1	Housing size b2	Weight [g]
	short term	long term	short term	long term					
	[N]	[N]	[N]	[N]					
EGXM-06-75	1,100	550	1,600	800	6	75	4	10	7.7

Further dimensions on request

Further combinations:

EGXM-06-75 ZM (with metal ball stud)

EGXM-06-75 ZK (with plastic ball stud)

EGXM-06-75 EK (with stainless steel ball)



delivery time available from stock



prices price list online
www.igus.eu/eu/egxm



order part number
example EGXM-06-75