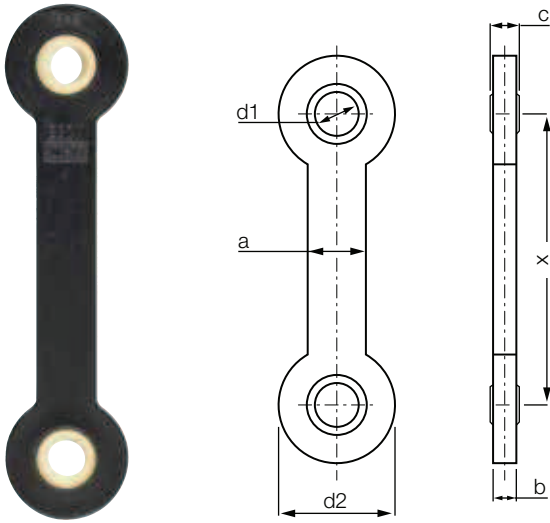


Double joint: EGZM



- Maintenance free, self-lubricating
- Mechanical joining link between 2 components
- Compensation of misalignment errors
- Corrosion-resistant
- Double joint turned 90° available on request

Order key

Type Size

E GZ M-04-25

| | | | | |
|----------------------|--------------|--------|-----------------|---------|
| Dimensional series E | Double joint | Metric | Inner-Ø d1 [mm] | Pitch X |
|----------------------|--------------|--------|-----------------|---------|

Material:

Housing: **igumid G** ▶ Page 1235

Spherical ball: **iglidur® W300** ▶ Page 121

Other spherical balls on request ▶ Page 693

Technical data and dimensions [mm]

| Part No. | Max. static tensile strength (short term) | | Max. static tensile strength (long term) | | d1 E10 | d2 | X | b | a | c | Max. pivot angle | Weight [g] |
|-------------|---|-------|--|-------|-----------|----|-----|---|----|----|---------------------|---------------|
| | radial | axial | radial | axial | | | | | | | | |
| | [N] | [N] | [N] | [N] | | | | | | | | |
| EGZM-04-25 | 1,100 | 1,300 | 550 | 650 | 04 | 20 | 25 | 4 | 10 | 5 | 32° | 3.5 |
| EGZM-04-50 | 1,100 | 750 | 550 | 375 | 04 | 20 | 50 | 4 | 10 | 5 | 32° | 4.8 |
| EGZM-04-75 | 1,100 | 500 | 550 | 250 | 04 | 20 | 75 | 4 | 10 | 5 | 32° | 6.1 |
| EGZM-05-25 | 1,100 | 1,300 | 550 | 650 | 05 | 20 | 25 | 4 | 10 | 6 | 37° | 2.2 |
| EGZM-05-50 | 1,100 | 750 | 550 | 375 | 05 | 20 | 50 | 4 | 10 | 6 | 37° | 4.9 |
| EGZM-05-75 | 1,100 | 500 | 550 | 250 | 05 | 20 | 75 | 4 | 10 | 6 | 37° | 6.3 |
| EGZM-06-25 | 1,100 | 1,300 | 550 | 650 | 06 | 20 | 25 | 4 | 10 | 6 | 30° | 3.4 |
| EGZM-06-50 | 1,100 | 750 | 550 | 375 | 06 | 20 | 50 | 4 | 10 | 6 | 30° | 4.8 |
| EGZM-06-75 | 1,100 | 500 | 550 | 250 | 06 | 20 | 75 | 4 | 10 | 6 | 30° | 3.4 |
| EGZM-08-60 | 3,000 | 3,500 | 1,500 | 1,750 | 08 | 30 | 60 | 7 | 15 | 8 | 20° | 15.2 |
| EGZM-08-100 | 3,000 | 1,900 | 1,500 | 950 | 08 | 30 | 100 | 7 | 15 | 8 | 20° | 19.5 |
| EGZM-10-60 | 2,500 | 3,500 | 1,250 | 1,750 | 10 | 30 | 60 | 7 | 15 | 9 | 25° | 15.3 |
| EGZM-10-85 | 2,500 | 2,300 | 1,250 | 1,150 | 10 | 30 | 85 | 7 | 15 | 9 | 25° | 18.1 |
| EGZM-10-100 | 2,500 | 1,900 | 1,250 | 950 | 10 | 30 | 100 | 7 | 15 | 9 | 25° | 19.4 |
| EGZM-12-60 | 2,000 | 3,500 | 1,000 | 1,750 | 12 | 30 | 60 | 7 | 15 | 10 | 25° | 14.7 |
| EGZM-12-100 | 2,500 | 1,900 | 1,000 | 950 | 12 | 30 | 100 | 7 | 15 | 10 | 25° | 18.8 |

Spherical ball materials to choose ▶ Page 693



REM:
low-cost



JEM: low
moisture
absorption



J4EM: low-
cost and
low moisture
absorption



J4VEM:
clearance free
preloaded
spherical ball