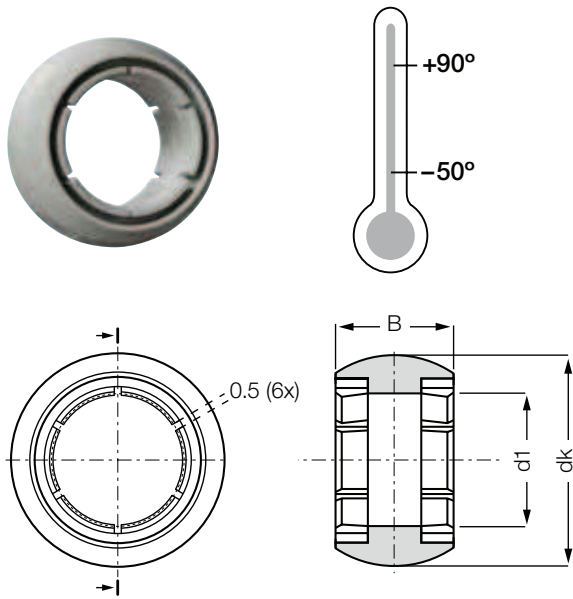


Clearance free, single piece: J4VEM



Order key

Type J4 Size V E M -08-08

J4 V E M -08-08

Spherical balls material iglidur® J4	Preloaded	Dimensional series E	Metric	Inner-Ø d1 [mm]	Width
---	-----------	----------------------	--------	-----------------	-------

- Can be combined with all series E housings
- Sizes 8 to 20 mm
- Preloaded
- Totally clearance free in unloaded state

Dimensions [mm]

Part No.	d1 E10	dK	B	Weight [g]
J4VEM-08-08	8	13.20	8.00	0.7
J4VEM-10-09	10	16.10	9.00	1.2
J4VEM-12-10	12	18.10	10.00	1.5
J4VEM-16-13	16	24.10	13.00	3.7
J4VEM-20-16	20	29.10	16.00	6.2

5 Sizes available: Ø 8, 10, 12, 16, 20 mm combinable with:

igubal® rod ends	EA(L)RM	▶ Page 618	igubal® flange bearing	EFSM	▶ Page 664
igubal® rod ends	EB(L)RM	▶ Page 616	igubal® pivoting bearing	EGFM-T	▶ Page 683
igubal® pillow block bearing	ESTM	▶ Page 651	igubal® pivoting bearing	EGLM	▶ Page 679
igubal® flange bearing	EFOM	▶ Page 662	igubal® double joint	EGZM	▶ Page 684