

drylin® R liners | Product range

Closed, long design for round shafts –
made from iglidur® J (all-rounder)



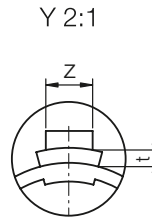
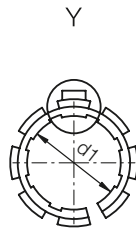
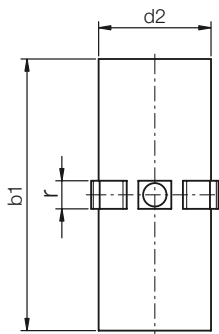
Order key

Type

Size

J U M-01-10

igidur® J	Liner	Metric	Standard	d1
-----------	-------	--------	----------	----



Imperial dimensions

► Page 1400



⁷⁸⁾ According to igus® testing method ► Page 1000

Please note: installation instructions ► Page 945



min. -50 °C

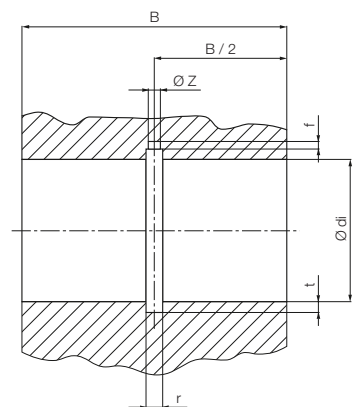
max. +90 °C

Dimensions [mm]

d1	d1-Tolerance ⁷⁸⁾	d2	b1	r	t	Z	Weight [g]	Part No.
10	+0.030 +0.070	12	28	3.0	0.8	2.5	1.10	JUM-01-10
12	+0.030 +0.070	14	31	3.0	0.8	3.0	1.50	JUM-01-12
16	+0.030 +0.070	18	35	3.5	0.8	3.5	2.20	JUM-01-16
20	+0.030 +0.070	23	44	5.0	0.8	3.5	4.90	JUM-01-20
25	+0.030 +0.070	28	57	5.0	0.8	4.0	8.23	JUM-01-25
30	+0.040 +0.085	34	67	5.0	0.8	4.0	14.95	JUM-01-30
35	+0.040 +0.085	39	69	5.0	0.8	4.0	18.20	JUM-01-35
40	+0.040 +0.085	44	79	6.0	1.3	5.0	23.16	JUM-01-40
50	+0.050 +0.150	55	99	7.0	1.3	6.0	45.35	JUM-01-50
60	+0.050 +0.150	65	124	8.0	2.5	6.5	70.00	JUM-01-60⁷⁹⁾

Housing bore for liner JUM-01 | dimensions [mm]

Shaft Ø	d1	B	r	t	f	Z	Part No.
	H7	h10	+0.05	+0.1	+0.5	+0.2	
10	12	29	3.0	1.0	1.0	2.6	JUM-01-10
12	14	32	3.0	1.0	1.5	3.1	JUM-01-12
16	18	36	3.5	1.0	1.7	3.6	JUM-01-16
20	23	45	5.0	1.0	2.0	3.6	JUM-01-20
25	28	58	5.0	1.0	2.0	4.1	JUM-01-25
30	34	68	5.0	1.0	2.0	4.1	JUM-01-30
35	39	70	5.0	1.0	2.0	4.1	JUM-01-35
40	44	80	6.0	1.5	2.5	5.1	JUM-01-40
50	55	100	7.0	1.5	2.5	6.1	JUM-01-50
60	65	125	8.0	2.5	3.0	6.5	JUM-01-60⁷⁹⁾



⁷⁹⁾ in two parts

Can be combined with:



RJUM-01/-03
TJUM-01/-03



RJUM-06/-06-LL



FJUM-01/-02