

drylin® R pillow block | Product range

Closed, short design



Order key

Type	Option	Size
------	--------	------

OGAS - 01 - 12

Linear housing with OJUM bearings	Aluminium housing	Small	Standard with OJUM-01	Inner Ø
-----------------------------------	-------------------	-------	-----------------------	---------

Options:

01: Standard with OJUM-01

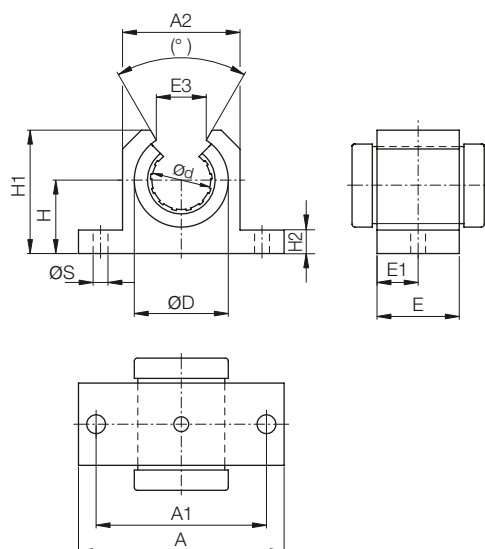
03: With OJUM-03



Please note:
Installation instructions
► Page 945



- Housing: aluminium, equipped with drylin® R linear bearings
- Variations:
Standard: OGAS-01-Ø
Self-aligning: OGAS-03-Ø



Dimensions [mm]

d	D	H	H1	H2	A	A1	A2	E	E1	E3	(°)	S	Part No. Standard with OJUM-01	Self-aligning with OJUM-03
12	22	18	28	6	52	42	30	20	10	14	78	5.3	OGAS-01-12	OGAS-03-12
16	26	22	33.5	7	56	46	34	22	11	17	78	5.3	OGAS-01-16	OGAS-03-16
20	32	25	42	8	70	58	40	28	14	17	60	6.4	OGAS-01-20	OGAS-03-20
25	40	30	51	10	80	68	50	40	20	21	60	6.4	OGAS-01-25	OGAS-03-25
30	47	35	60	10	88	76	58	48	24	21	54	6.4	OGAS-01-30	OGAS-03-30
40	62	45	77	12	108	94	74	56	28	27	54	8.4	OGAS-01-40	OGAS-03-40

Are equipped with:



OJUM-01



OJUM-03

Available with drylin® liners (optional: J200/A180):



J



E7



X