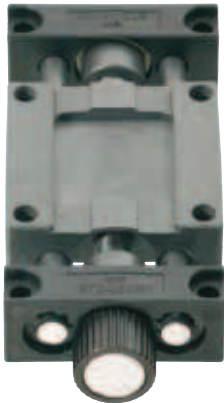


drylin® SHTP | Linear modules | Product range

Small and cost-effective – solid plastic

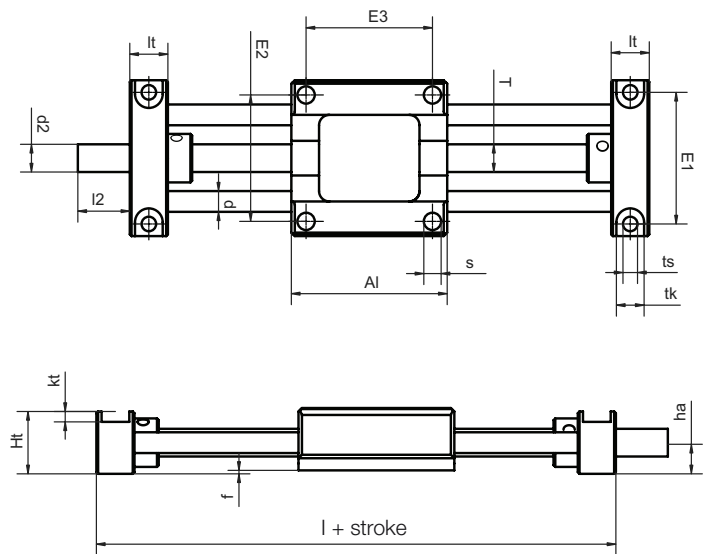
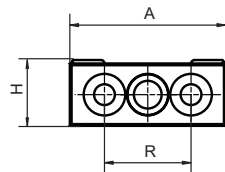


- Miniature version
 - Lightweight
 - Very low price
 - Corrosion resistant
 - Carriages and shaft end supports made from high-performance polymers
 - Available accessories
- Page 1303



Order key

SHTP-01-06-AWM



Technical data

Part No.	Max. stroke length [mm]	Aluminium shaft		Max. static load capacity		More Information
		Weight [kg]	Additional [kg] (per 100 mm)	axial [N]	radial [N]	
SHTP-01-06-AWM	300	0.11	0.06	50	50	Carriage, square, with 4 symmetrical mounting holes

Dimensions [mm]

Part No.	A	Al	H	Ht	E1	E2	E3	I	R	f	kt	lt	tk	ts
SHTP-01-06-AWM	45	45	19	18	38	36.5	36.5	67	25	1	3	11	8	42

Part No.	s	d	T	l2	d2 ⁹⁹⁾	ha
SHTP-01-06-AWM	5.1	6	M8	15	M8	9

⁹⁹⁾ Lead screw end unmachined (standard)

drylin® SHTP | Linear modules | Product range

Light and robust – plastic and aluminium

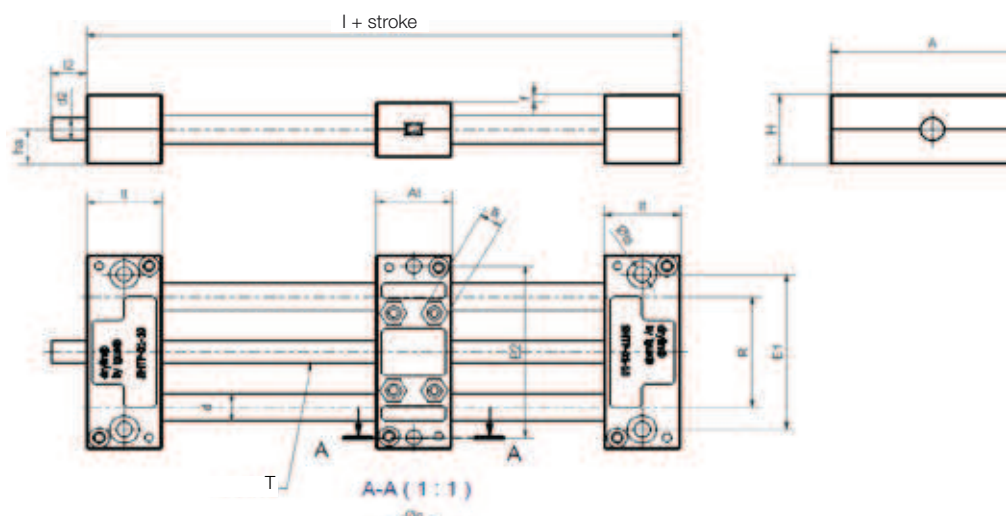


- Lightweight
 - Low-profile design
 - Ideal for multi-carriage solutions
 - Available accessories
- Page 1303



Order key

SHTP-01-10



Technical data

Part No.	Max. stroke length [mm]	Aluminium shaft		More Information
		Weight [kg]	Additional [kg] (per 100 mm)	
SHTP-01-10	350	0.2	0.08	Liners and lead screw nuts made from iglidur® J

Dimensions [mm]

Part No.	A	AI	H	E1	E2	I	R	f	lt	tk	ts
SHTP-01-10	70	26	25	56	62	78	40	2.5	±0.1 26	8	+0.15 5.5

Part No.	s	sg	d	T	l2	d2 ⁹⁹⁾	ha	Max. static load capacity	
								axial [N]	radial [N]
SHTP-01-10	5.2	M5	10	Tr08x1.5	15	Tr08x1.5	12.5	100	400

⁹⁹⁾ Lead screw end unmachined (standard)