

drylin® W profile guides | Product range

Housing bearing, round, adjustable clearance



Order key

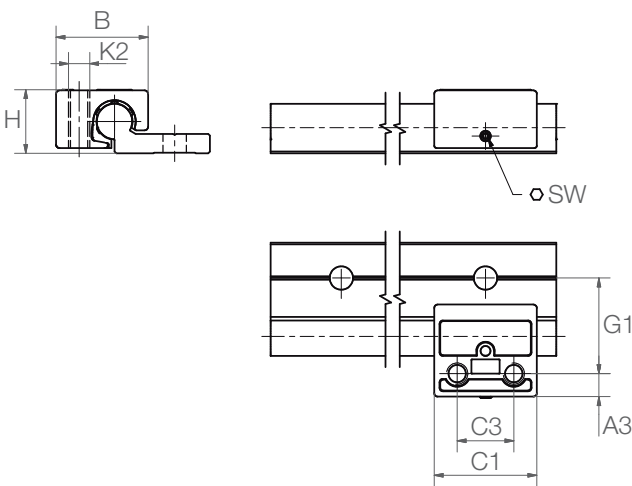
| Type | Size |
|------|------|
|------|------|

WJ200UME-01-16

| | | | | | |
|-----------|-----------------------|------------------------|------------|----------|------|
| drylin® W | Liner igidur® J200 | Housing bearing, round | Adjustable | Standard | Size |
|-----------|-----------------------|------------------------|------------|----------|------|



Allen key supplied



Technical data and dimensions [mm]

| Part No. | Weight [g] | B | C1 | C3 | A3 | K2 | H | SW | G1 | Stat. load capacity | | |
|----------------|---------------|------|----|----|-----|----|----|-----|----|---------------------|-------------|-------------|
| | | | | | | | | | | Coy [N] | Coz+ [N] | Coz- [N] |
| WJUME-01-10 | 43 | 26 | 29 | 16 | 6.5 | M6 | 18 | 1.5 | 27 | 560 | 560 | 250 |
| WJ200UME-01-16 | 110 | 34.5 | 36 | 18 | 9 | M8 | 27 | 2.5 | 33 | 980 | 980 | 460 |
| WJ200UME-01-20 | 222 | 42.5 | 45 | 27 | 9 | M8 | 36 | 2.5 | 38 | 1,500 | 1,500 | 500 |

Can be combined with:



Suitable liner materials:

