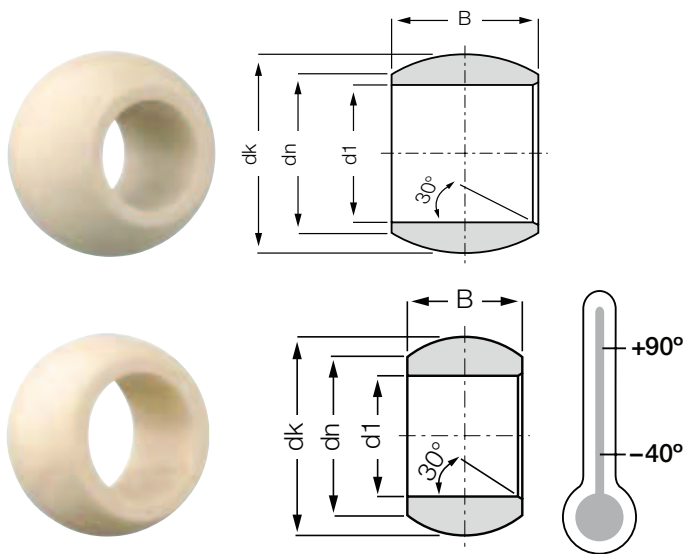


Standard spherical balls: WKM and WKI/WEM and WEI



Order key

Type Size Options

W ... **M-02-04**

Spherical balls material
iglidur® W300

Dimensional series

Metric

Inner-Ø d1 [mm]

Width

Dimensional series

K = Series K

E = Series E



Inch dimensions available

► From page 1183

Dimensions [mm]

Part No.	d1 E10	dn	dK	B	Weight [g]
WKM-02-04	2.00	3.90	5.10	4.00	0.1
WKM-03-06	3.00	5.10	8.10	6.00	0.3
WKM-05-08	5.00	7.70	11.30	8.00	0.6
WKM-06-09	6.00	8.90	12.80	9.00	0.9
WKM-08-12	8.00	10.30	16.00	12.00	1.6
WKM-10-14	10.00	12.90	19.00	14.00	2.7
WKM-12-16	12.00	15.40	22.10	16.00	4.0
WKM-14-19	14.00	16.80	25.40	19.00	6.0
WKM-16-21	16.00	19.30	28.40	21.00	8.2
WKM-18-23	18.00	21.80	31.50	23.00	10.8
WKM-20-25	20.00	24.30	35.10	25.00	14.5
WKM-22-28	22.00	25.80	38.30	28.00	18.7
WKM-25-31	25.00	29.50	42.90	31.00	26.0
WKM-30-37	30.00	34.80	51.20	37.00	44.7

Dimensions [mm]

Part No.	d1 E10	dn	dK	B	Weight [g]
WEM-04-05	4.00	6.25	8.30	5.00	0.2
WEM-05-06	5.00	8.00	10.30	6.00	0.3
WEM-06-06	6.00	8.00	10.30	6.00	0.4
WEM-08-08	8.00	10.00	13.30	8.00	0.7
WEM-10-09	10.00	13.00	16.10	9.00	1.2
WEM-12-10	12.00	15.00	18.10	10.00	1.5
WEM-15-12	15.00	18.00	22.00	12.00	2.4
WEM-16-13	16.00	19.50	24.10	13.00	3.3
WEM-17-14	17.00	20.00	25.10	14.00	3.7
WEM-20-16	20.00	24.00	29.10	16.00	5.3
WEM-25-20	25.00	29.00	35.60	20.00	9.5
WEM-30-22	30.00	34.00	40.90	22.00	12.1