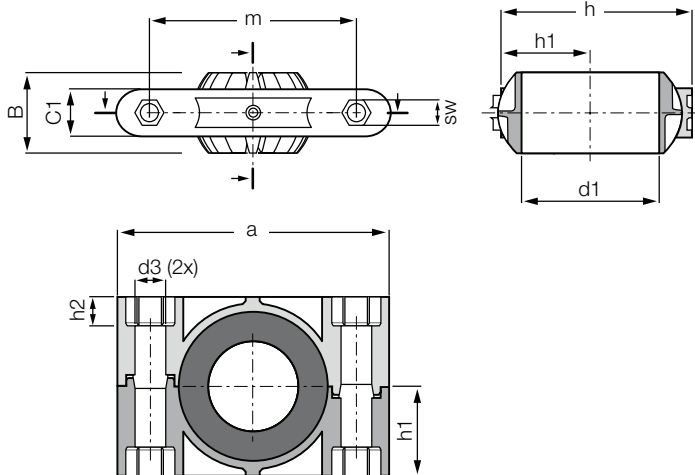


## Pillow block bearing with split housing: KSTM-GT



- Fitting is easy and does not require shaft removal
- Maintenance free, dry-running
- For high static loads
- Space- and weight-saving design

## Order key

Type Size Version

**K** **S** **T** **M** - **GT** **40** - **GT**

Dimensional series K	Pillow block bearing	Metric	Split pillow block	Inner-Ø [mm]	Split ball
----------------------	----------------------	--------	--------------------	--------------	------------

- Material:**  
 Housing: **RN33** ▶ Page 1236  
 Spherical ball: **iglidur® J** ▶ Page 99

- Mounting: M12
- High stiffness and fatigue strength
- Predictable lifetime
- Dimensional series K accord. to standard DIN ISO 12240

## Technical data

Part No.	Max. radial tensile strength		Max. axial tensile strength		Max. torque through ball fixing holes		Weight [g]
	Short term	Long term	Short term	Long term	[Nm]	[Nm]	
	[N]	[N]	[N]	[N]			
KSTM-GT35 <sup>23)</sup>	11,000	5,500	2,500	1,250	5	15	250.3
KSTM-GT40	11,000	5,500	2,500	1,250	5	15	235.0
KSTM-GT40-GT <sup>24)</sup>	11,000	5,500	2,500	1,250	5	15	235.0
KSTM-GT45 <sup>23)</sup>	15,000	7,500	3,000	1,500	5	20	405.2
KSTM-GT50	15,000	7,500	3,000	1,500	5	20	389.2
KSTM-GT50-GT <sup>24)</sup>	15,000	7,500	3,000	1,500	5	20	389.2

## Dimensions [mm]

Part No.	d1	d3	h	h1	h2	SW	a	m	C1	B	Max. pivot angle
	E10										
KSTM-GT35 <sup>23)</sup>	35.0	13.5	79.0	39.5	12.6	19.0	120.5	91.0	29.5	48.5	24°
KSTM-GT40	40.0	13.5	79.0	39.5	12.6	19.0	120.5	91.0	29.5	48.5	24°
KSTM-GT40-GT <sup>24)</sup>	40.0	13.5	79.0	39.5	12.6	19.0	120.5	91.0	29.5	48.5	24°
KSTM-GT45 <sup>23)</sup>	45.0	13.5	100.0	50.0	12.6	19.0	149.0	114.0	35.0	60.0	24°
KSTM-GT50	50.0	13.5	100.0	50.0	12.6	19.0	149.0	114.0	35.0	60.0	24°
KSTM-GT50-GT <sup>24)</sup>	50.0	13.5	100.0	50.0	12.6	19.0	149.0	114.0	35.0	60.0	24°

<sup>23)</sup> Diameter given by iglidur® J bore reducer; <sup>24)</sup> Split pillow block with split ball