



Flat fan nozzles for belt lubrication

Series 652



**Especially low flow rates.
Parabolic liquid distribution.**

Applications:

Belt lubrication, moistening, spraying of food products, moisturization of rollers, oiling, lubrication of metal sheets.

Operating pressure range:
1 to 5 bar

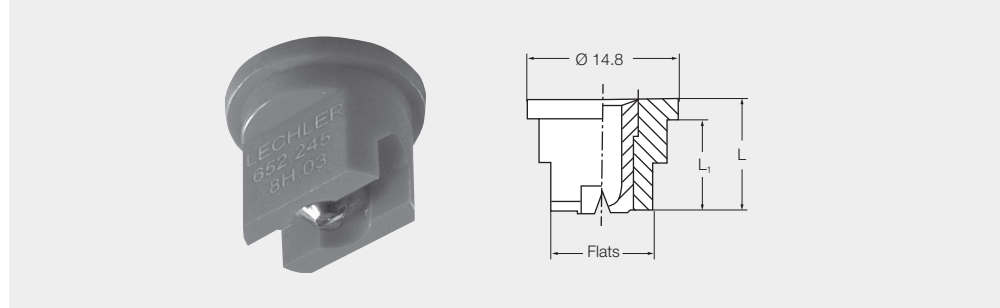
Recommended operating pressure:
3 bar

Viscosity:

The nozzles can be operated with viscous media, e. g. transmission fluid (max. approx. 200 mPas). However the spray angle decreases.

Return valve with filter:

- Prevents dripping and saves medium
- Size of filter mesh: 0.08 mm (200 mesh)
- **095.016.53.11.00**
Opening pressure: approx. 0.5 bar
Closing pressure: approx. 0.3 bar
- **095.016.53.14.63**
Opening pressure: approx. 2.8 bar
Closing pressure: approx. 1.6 bar



Spray angle	Ordering no.				Colour	E Ø [mm]	V̇ [l/min]			
	Type	Mat. no.					p [bar]			
		16	8H.03*	56.03			1.0	2.0	3.0	5.0
75°	652.145	○	○	○	green	0.12	0.04**	0.05	0.06	0.08
	652.165	○	○	-	black	0.14	0.05**	0.07	0.08	0.10
	652.185	○	○	○	red	0.16	0.06**	0.08	0.10	0.13
	652.215	○	○	-	blue	0.20	0.08**	0.11	0.14	0.18
	652.245	○	○	-	orange	0.30	0.12**	0.16	0.20	0.26
120°	652.275	○	○	-	brown	0.30	0.16**	0.22	0.27	0.35
	652.187	○	○	-	grey	0.20	0.06**	0.08	0.10	0.13
	652.247	○	○	-	black	0.20	0.12**	0.16	0.20	0.26
	652.277	○	○	-	black	0.30	0.16**	0.22	0.27	0.35

E = narrowest free cross section
* Housing POM, nozzle insert 303 SS
** Differing spray pattern.
Subject to technical modifications.

Pos.	Name	Ordering no.	Material	Colour	Dimensions [mm]			Filter mesh [mm]
					L	L ₁	Flats	
1	Filter with return valve	095.016.53.11.00	PP	blue	21	1.5	-	0.08
		095.016.53.14.63	PP	green	21	1.5	-	0.08
2	Gasket	065.240.55	PTFE	-	-	-	-	-
		065.240.72	EWP 210	-	-	-	-	-
3	Nozzle	Ordering no. see flow tables	303 SS	-	11	9	10	-
			POM/303 SS*	-	12	10	8	-
4	Cap nut	065.200.16	303 SS	-	13	10	22	-
		065.200.56	POM	black	14.5	11.5	22	-

* Housing POM, Nozzle insert 303 SS
** Size of mesh

