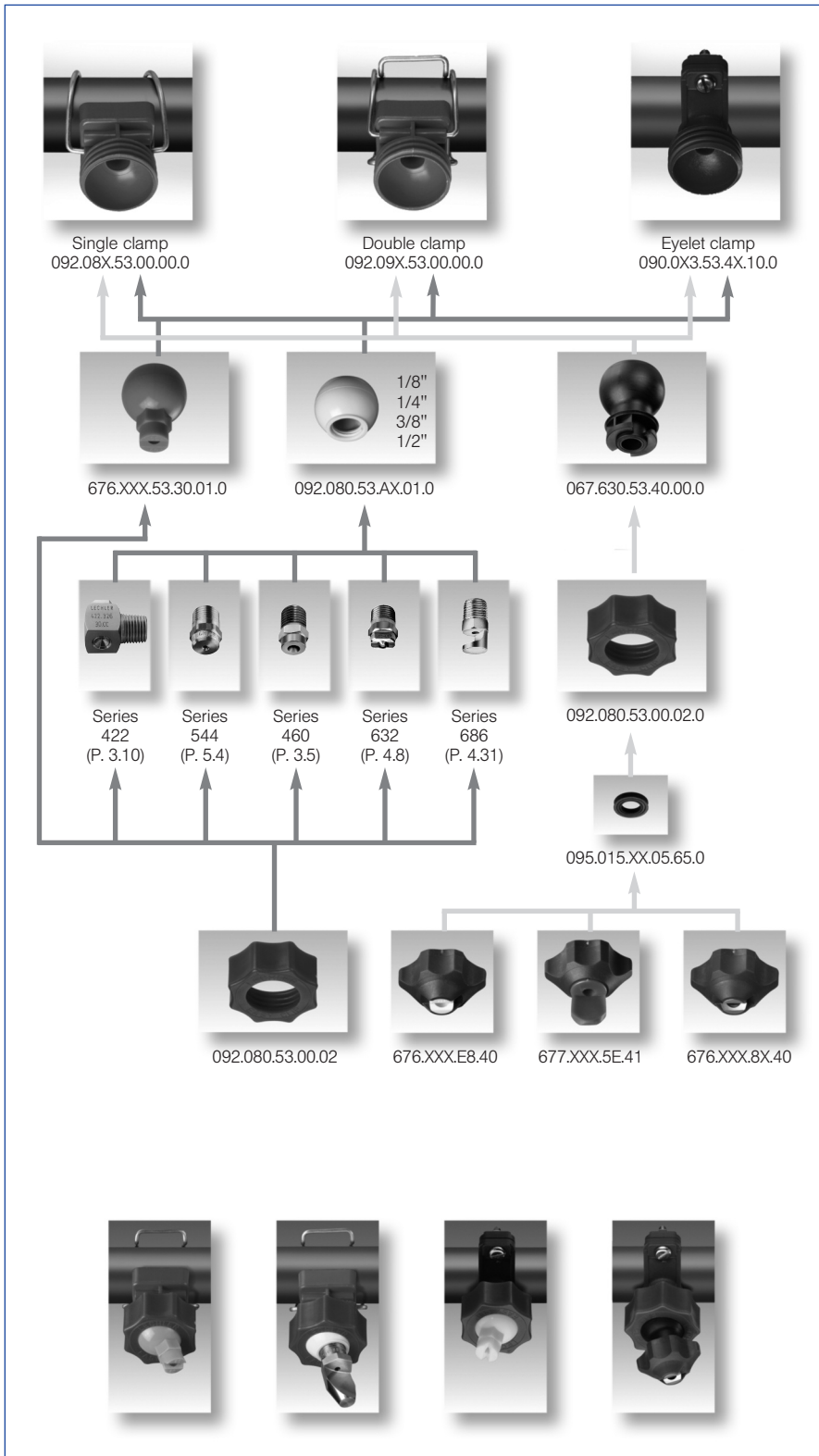


MEM SPRAY® / Easy-Clip combination





# Nozzle systems for surface technology

## Easy-Clip nozzle system



**Quick and easy assembly with clamp. No tools required. Allround swivelling by 30°. Easy adjustment and cleaning.**

Applications:  
Degreasing, phosphating in surface treatment.

Materials:  
Clamp: Stainless steel AISI 301  
Sealing: EPDM  
Cylinder pin, Screw, Screw unit: 1.4401.  
Body, ball retainer cap: PP, reinforced  
Nozzle, ball joint: PP



### Sets

existing of

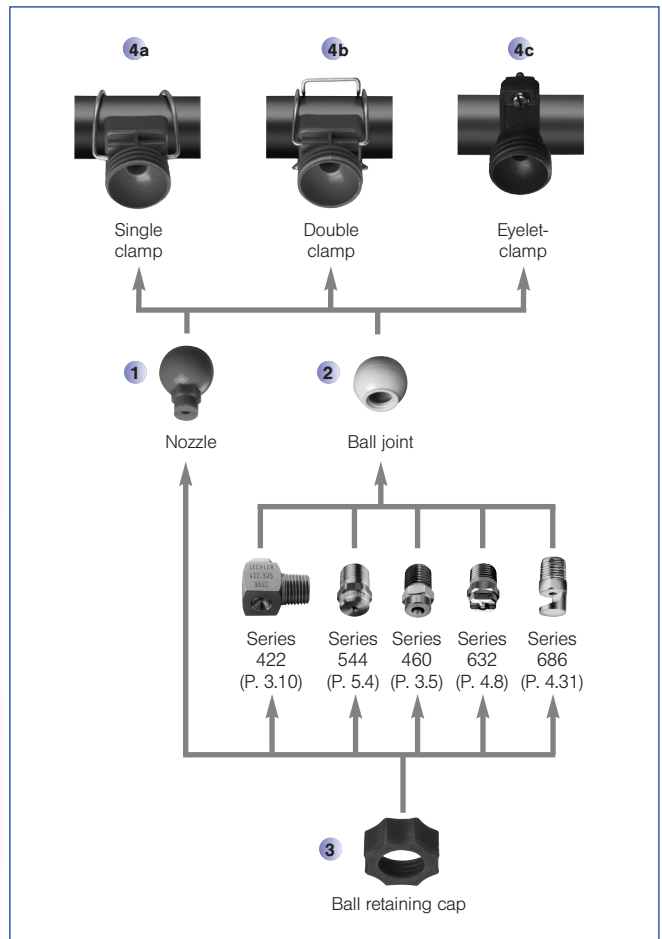
- Nozzle
- Single clamp for 1 1/4" pipe
- Ball retainer cap

Ordering no.	Nozzle Colour	∠	ṽ [l/min]				
			p [bar]				
			0.5	1.0	1.5	2.0	2.5
676. 724. 53. 31	grey	60°	3.15	4.45	5.45	6.30	7.04
676. 764. 53. 31	brown		4.00	5.66	6.93	8.00	8.94
676. 804. 53. 31	lilac		5.00	7.07	8.66	10.00	11.18
676. 844. 53. 31	yellow		6.25	8.84	10.83	12.50	13.98
676. 884. 53. 31	red		8.00	11.31	13.85	16.00	17.89
676. 904. 53. 31	blue		9.10	12.87	15.76	18.20	20.35
676. 924. 53. 31	green		10.00	14.14	17.32	20.00	22.36

existing of

- Ball joint
- Single clamp for 1 1/4" pipe
- Ball retainer cap

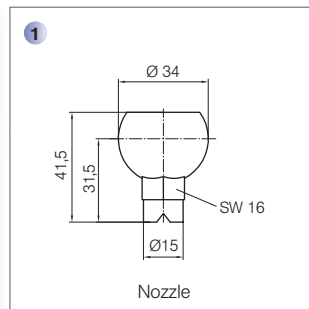
Ordering no.	Ball Colour	Nozzle connection	For nozzle series
092. 081. 53. AB	beige	G 1/8"	460, 632, 686, 610, 544
092. 081. 53. AD	beige	G 1/4"	422, 460, 544, 612, 632, 686
092. 081. 53. AF	beige	G 3/8"	422, 460, 632, 686, 688
092. 081. 53. AH	beige	G 1/2"	422, 460, 632, 686



### Components

#### 1 Nozzle

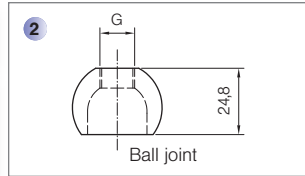
Ordering no.	Colour	∠	ṽ [l/min]				
			p [bar]				
			0.5	1.0	1.5	2.0	2.5
676. 724. 53. 30. 01	grey	60°	3.15	4.45	5.45	6.30	7.04
676. 764. 53. 30. 01	brown		4.00	5.66	6.93	8.00	8.94
676. 804. 53. 30. 01	lilac		5.00	7.07	8.66	10.00	11.18
676. 844. 53. 30. 01	yellow		6.25	8.84	10.83	12.50	13.98
676. 884. 53. 30. 01	red		8.00	11.31	13.85	16.00	17.89
676. 904. 53. 30. 01	blue		9.10	12.87	15.67	18.20	20.35
676. 924. 53. 30. 01	green		10.00	14.14	17.32	20.00	22.36
092. 080. 53. 00. 01	grey		Blind nozzle				





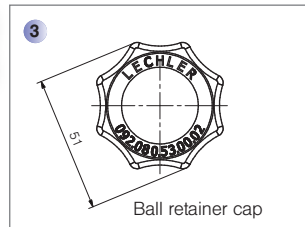
### 2 Ball joint

Ordering no.	Colour	Nozzle connection	For nozzle series
092. 080. 53. AB. 01	beige	G 1/8"	460, 544, 610, 632, 686
092. 080. 53. AD. 01	beige	G 1/4"	422, 460, 544, 612, 632, 686
092. 080. 53. AF. 01	beige	G 3/8"	422, 460, 632, 686, 688
092. 080. 53. AH. 01	beige	G 1/2"	422, 460, 632, 686



### 3 Ball retainer cap

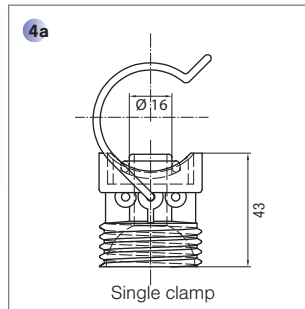
Ordering no.
092. 080. 53. 00. 02



### 4a Single clamp

Ordering no.	Bore-Ø	For pipe-Ø
092. 080. 53. 00	16 mm	1" (32.0-34.5 mm)
092. 081. 53. 00	16 mm	1 1/4" (40.0-43.0 mm)
092. 082. 53. 00	16 mm	1 1/2" (46.0-49.0 mm)
092. 083. 53. 00	16 mm	2" (58.0-62.0 mm)

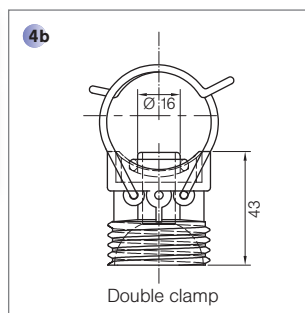
Other bore-Ø (13.8 / 20.0 mm) on request.



### 4b Double clamp

Ordering no.	Bore-Ø	For Pipe-Ø
092. 090. 53. 00	16 mm	1" (32.0-34.5 mm)
092. 091. 53. 00	16 mm	1 1/4" (40.0-43.0 mm)
092. 092. 53. 00	16 mm	1 1/2" (46.0-49.0 mm)
092. 093. 53. 00	16 mm	2" (58.0-62.0 mm)

Other bore-Ø (13.8 / 20.0 mm) on request.



### 4c Eyelet clamp

Ordering no.	Bore-Ø	For pipe-Ø
090. 023. 53. 43. 10. 0	16 mm	1" (32.0-34.5 mm)
090. 033. 53. 43. 10. 0	16 mm	1 1/4" (40.0-43.0 mm)
090. 043. 53. 43. 10. 0	16 mm	1 1/2" (46.0-49.0 mm)

Other bore-Ø (13.8 / 20.0 mm) on request.

