



Accessories Catalog



Product Quality, Reliability and Support You Expect

www.catpumps.com

Demand Genuine Cat Pumps® Accessories

Maximum Pumping System Performance

A pumping system's ongoing performance is as good as its weakest component, which is why Cat Pumps offers a wide range of quality accessories. Adhering to the same exacting standards as our pumps, all accessories are performance-tested and designed to match each pump's unique specifications. By demanding genuine Cat Pumps products, you receive the best value and lowest cost of ownership over the life of the system.

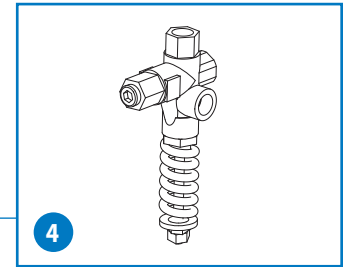
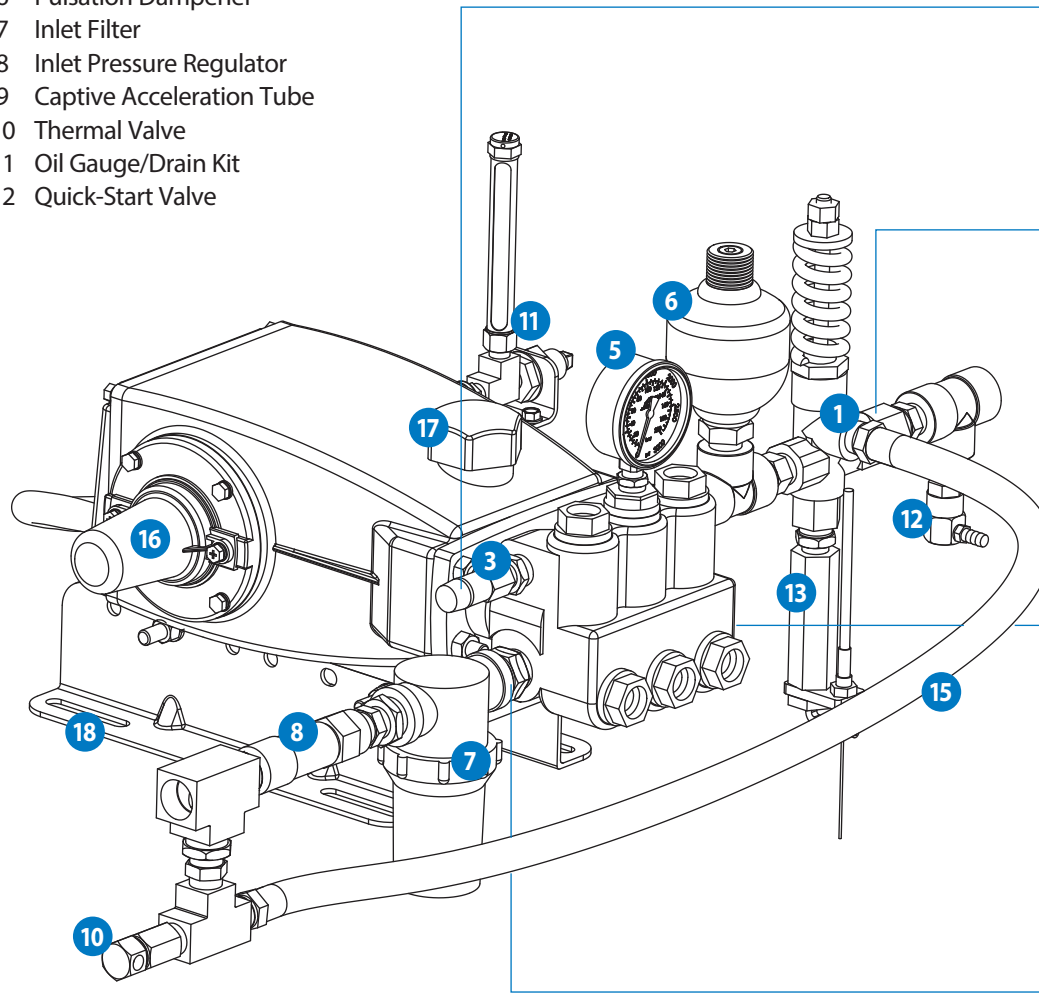
To ensure the very best system life-cycle, Cat Pumps recommends a primary regulating device, secondary pressure relief device and discharge pressure gauge. In addition to these system standards, this catalog includes hundreds of other accessories. Cat Pumps has a selection of proven accessories to complement your pump investment.

Table of Contents

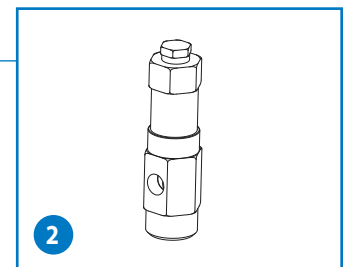
Typical Installation	3	Lubrication Accessories	20
Discharge Accessories	4	Crankcase Oil	20
Pressure Regulators	4	Oil Drain/Level Indicator Kits	21
Unloaders	5	Gear Lube	21
Relief Valves	6	Anti-seize and Sealants	21
Pop-Off Valves	7	Pump Accessories	22
Pressure Gauges	8	Protectors – Shaft and Oil Cap	22
Valve Plug Adapters	8	Keys	23
Pulsation Dampeners	9	Rails	24
Inlet Accessories	10	Drive Accessories	25
Filters	10	Bell Housing and Flexible Couplings	25
Inlet Pressure Gauges	10	Motorized Flange Mount	26
Inlet Pressure Regulators	11	Gearboxes	27
Captive Acceleration Tubes	11	Hubs and Hub/Key Assemblies	28
Thermal Valves	12	Clutches	29
Specialty Accessories	12	Pulleys	29
Quick-Start Valves	12	Service Tools	30
Throttle Control	13	Wrenches	30
MAG-JET and Pulsator Assemblies	13	Pliers	30
Flow Switches	13	Oil Gauge Removal Tool	30
Auto-Shutoff Assemblies	14	Seal Case Removal Tools	31
LPS Monitors	14	Piston Pump Tools	31
Float Valves	14		
Pressure Switches	15		
Operator Controls	16		
Guns	16		
Lances	17		
Nozzles	18		
Foamers	19		
Chemical Injectors	19		
Pulse Pumps	20		

Typical Installation

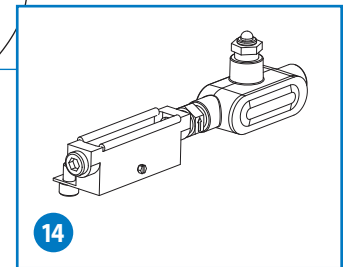
- 1 Unloader
- 2 Regulator
- 3 Pop-Off Valve
- 4 Relief Valve
- 5 Pressure Gauge
- 6 Pulsation Dampener
- 7 Inlet Filter
- 8 Inlet Pressure Regulator
- 9 Captive Acceleration Tube
- 10 Thermal Valve
- 11 Oil Gauge/Drain Kit
- 12 Quick-Start Valve



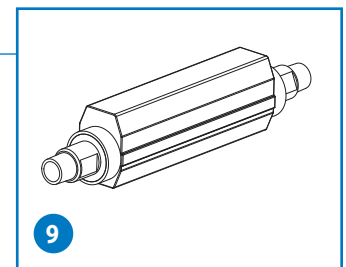
Relief Valve



Regulator



LPS Monitor



Captive Acceleration Tube

- 13 Throttle Controller
- 14 LPS Monitor
- 15 Bypass Hose
- 16 Shaft Protector
- 17 Oil Cap Protector
- 18 Rails

NOTE: These illustrations show the basic elements for a typical installation of a high-pressure piston or plunger pump. **Not all components shown are required for all applications or systems.** Proper system installation, routine lubrication, monitoring and maintenance of components are basic guarantees of optimum pump performance. Cat Pumps does not assume any liability or responsibility for the design or operation of a customer's high-pressure system.

*Preferred mounting of the Pulsation Dampener is directly on the discharge manifold of the pump, however, following a pressure unloader is required when the bypass is returned to the inlet of the pump and an Inlet Pressure Regulator or Check Valve is used.

Discharge Accessories



Pressure Regulators

Used when consistent pressure is required.

- Typically used for multiple pump, nozzle and gun applications.
- Conical design lowers minimum required bypass flow and eliminates cavitation effects, extending performance life.

MODEL	FLOW RANGE		PRESSURE RANGE		PORTS	
	gpm	lpm	psi	bar	Inlet/Discharge	Bypass

STEEL NICKEL PLATED MODELS (Piston and Seat are 316 Stainless Steel)

7001	0.5 - 5	1.9 - 19	100 - 1000	7 - 70	3/8" NPT(F)	1/2" NPT(F)
7002	0.5 - 5	1.9 - 19	500 - 2000	35 - 140	3/8" NPT(F)	1/2" NPT(F)
7003	0.5 - 5	1.9 - 19	1500 - 3000	105 - 210	3/8" NPT(F)	1/2" NPT(F)
7011	1 - 10	3.8 - 38	100 - 1000	7 - 70	1/2" NPT(F)	3/4" NPT(F)
7012	1 - 10	3.8 - 38	500 - 2000	35 - 140	1/2" NPT(F)	3/4" NPT(F)
7013	1 - 10	3.8 - 38	1500 - 3000	105 - 210	1/2" NPT(F)	3/4" NPT(F)
7014	1 - 10	3.8 - 38	2000 - 4000	140 - 175	1/2" NPT(F)	3/4" NPT(F)
7021	2.5 - 25	9.5 - 95	100 - 1000	7 - 70	3/4" NPT(F)	1" NPT(F)
7022	2.5 - 25	9.5 - 95	500 - 2000	35 - 140	3/4" NPT(F)	1" NPT(F)
7023	2.5 - 25	9.5 - 95	1500 - 3000	105 - 210	3/4" NPT(F)	1" NPT(F)
7024	2.5 - 25	9.5 - 95	2000 - 4000	140 - 175	3/4" NPT(F)	1" NPT(F)
7031	3.5 - 35	13.2 - 132	250 - 1000	18 - 70	3/4" NPT(F)	1" NPT(F)
7032	3.5 - 35	13.2 - 132	1000 - 2000	70 - 140	3/4" NPT(F)	1" NPT(F)
7033	3.5 - 35	13.2 - 132	1500 - 3000	105 - 210	3/4" NPT(F)	1" NPT(F)

316 STAINLESS STEEL MODELS, FLOW THROUGH

7001.100	0.5 - 5	1.9 - 19	100 - 1000	7 - 70	3/8" NPT(F)	1/2" NPT(F)
7002.100	0.5 - 5	1.9 - 19	500 - 2000	35 - 140	3/8" NPT(F)	1/2" NPT(F)
7003.100	0.5 - 5	1.9 - 19	1500 - 3000	105 - 210	3/8" NPT(F)	1/2" NPT(F)
7011.100	1 - 10	3.8 - 38	100 - 1000	7 - 70	1/2" NPT(F)	3/4" NPT(F)
7012.100	1 - 10	3.8 - 38	500 - 2000	35 - 140	1/2" NPT(F)	3/4" NPT(F)
7013.100	1 - 10	3.8 - 38	1500 - 3000	105 - 210	1/2" NPT(F)	3/4" NPT(F)
7014.100	1 - 10	3.8 - 38	2000 - 4000	140 - 175	1/2" NPT(F)	3/4" NPT(F)
7720	0.5 - 10	1.9 - 38	2000 - 10000	138 - 689	1/4" NPT(F)	3/8" NPT(F)
7021.100	2.5 - 25	9.5 - 95	100 - 1000	7 - 70	3/4" NPT(F)	1" NPT(F)
7022.100	2.5 - 25	9.5 - 95	500 - 2000	35 - 140	3/4" NPT(F)	1" NPT(F)
7023.100	2.5 - 25	9.5 - 95	1500 - 3000	105 - 210	3/4" NPT(F)	1" NPT(F)
7024.100	2.5 - 25	9.5 - 95	2000 - 4000	140 - 175	3/4" NPT(F)	1" NPT(F)
7031.100	3.5 - 35	13.2 - 132	250 - 1000	18 - 70	3/4" NPT(F)	1" NPT(F)
7032.100	3.5 - 35	13.2 - 132	1000 - 2000	70 - 140	3/4" NPT(F)	1" NPT(F)
7033.100	3.5 - 35	13.2 - 132	1500 - 3000	105 - 210	3/4" NPT(F)	1" NPT(F)
7375	10 - 75	38 - 284	100 - 1000	7 - 70	1-1/4" NPT(F)	1-1/2" NPT(F)
7376	10 - 75	38 - 284	500 - 2000	35 - 140	1-1/4" NPT(F)	1-1/2" NPT(F)

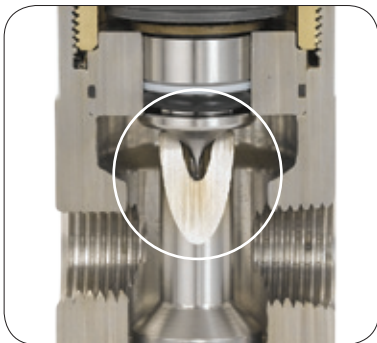
BRASS MODELS, TEE MOUNT

7085	1 - 3.5	3.8 - 13	205 - 2300	14 - 158	1/4" BSP(M)	1/8" BSP(F)
7080	2.8 - 7.8	9.5 - 30	150 - 1450	10 - 100	3/8" NPT(F)	3/8" NPT(F)
7082	2.8 - 7.8	9.5 - 30	850 - 3575	59 - 246	3/8" NPT(F)	3/8" NPT(F)

316 STAINLESS STEEL MODELS, TEE MOUNT

7350	1 - 12	3.8 - 45	400 - 1500	25 - 105	1/4" NPT(F)	3/8" NPT(F)
7361	10 - 60	38 - 228	400 - 1000	25 - 70	1" NPT(F)	1-1/4" NPT(F)
7368	10 - 60	38 - 228	600 - 1800	40 - 125	1" NPT(F)	1-1/4" NPT(F)

TECH TIP



7001-7033 Series Regulators exclusively from Cat Pumps feature conical design delivering unmatched performance and life.

Features:

- Conical design lowers minimum bypass flow from 10% - 5%, optimizing system performance
- Virtually eliminates cavitation effects across piston and seat, significantly extending life
- Compact in-line plumbing
- Low-pressure override provides smooth and stable operation without chatter.

Unloaders

Typically used with trigger gun applications.

- Reduces load on pump and motor when in bypass.
- Wide pressure and flow range models available.



MODEL	FLOW RANGE		PRESSURE RANGE		PORTS	
	gpm	lpm	psi	bar	Inlet/Discharge	Bypass

BRASS MODELS (Pressure Sensitive)

7600S	2 - 5	8 - 19	700 - 3500	49 - 245	3/8" NPT(M)	3/8" NPT(F)
7500S	0.5 - 6	1.9 - 2.3	100 - 2000	7 - 140	3/8" NPT(M)	3/8" NPT(F)
7580	0.5 - 6.5	1.9 - 25	400 - 1000	28 - 70	3/8" NPT(M)	3/8" NPT(F)
7581	0.5 - 6.5	1.9 - 25	800 - 2300	55 - 158	3/8" NPT(M)	3/8" NPT(F)
7620	0.5 - 7.8	1.9 - 30	100 - 3145	7 - 220	3/8" BSP(M)/BSP(F)	3/8" BSP(F)
7691	2.5 - 8	9.5 - 30	1000 - 4050	70 - 280	3/8" NPT(F)	3/8" NPT(F)
7693	2.5 - 10.5	9.5 - 40	230 - 2300	16 - 60	3/8" NPT(F)	3/8" NPT(F)
7694	2.5 - 10.5	9.5 - 40	400 - 4050	28 - 280	3/8" NPT(F)	3/8" NPT(F)
7630	2 - 10.5	8 - 40	400 - 5100	28 - 350	3/8" NPT(M)/BSP(F)	1/2" NPT(F)
7537	1 - 21	3.8 - 80	230 - 2600	16 - 179	1/2" NPT(F)	1/2" NPT(F)
7542	1 - 21	3.8 - 80	800 - 4000	55 - 275	1/2" NPT(F)	1/2" NPT(F)
7576	1 - 21	3.8 - 80	1500 - 7250	105 - 500	1/2" BSP(F)	1/2" BSP(F)
7590	10 - 52	38 - 200	400 - 2175	28 - 150	1" NPT(F)	1" NPT(F)
7592	10 - 52	38 - 200	450 - 2500	31 - 175	1" NPT(F)	1" NPT(F)
9950	50 - 120	190 - 456	100 - 2900	7 - 200	1-1/4" BSP(F)	1-1/2" BSP(F)

BRASS, MODULAR, BUILT IN BYPASS, 3CP AND 5CP SERIES (Pressure Sensitive)

7730	0.5 - 4.5	1.9 - 17	100 - 3000	7 - 210	1/2" NPT(F)/3/8" NPT(M)	Modular - 3CP
7850	0.5 - 6	1.9 - 23	100 - 4000	7 - 275	1/2" NPT(F)/3/8" NPT(M)	Modular - 5CP

BRASS MODELS (Flow Sensitive)

7450	2.4 - 10	9 - 40	100 - 4000	7 - 275	3/8" NPT(F)	3/8" NPT(F)
------	----------	--------	------------	---------	-------------	-------------

STAINLESS STEEL MODELS (Pressure Sensitive)

7501**	0.5 - 6	1.9 - 23	100 - 2000	7 - 140	3/8" NPT(M)	3/8" NPT(F)
7531*	1 - 21	3.8 - 80	400 - 2200	28 - 155	1/2" NPT(F)	1/2" NPT(F)
7533*	1 - 21	3.8 - 80	800 - 4000	55 - 275	1/2" NPT(F)	1/2" NPT(F)
7536*	1 - 21	3.8 - 80	3000 - 5700	210 - 400	1/2" NPT(F)	1/2" NPT(F)

* 304 Stainless Steel
** 316 Stainless Steel

TECH TIP Regulator vs. Unloader

One common inquiry from system designers is the difference between a pressure regulator and a pressure regulating unloader. When using a pressure regulator, both the pump and downstream components will always be at the set system pressure. A pressure regulating unloader performs the same function as a regulator but also contains a check valve on the discharge side. When a shut-off device downstream is closed, the check valve seats against the body of the unloader, trapping the high-pressure from the check valve to shut-off device, relieving pressure between the unloader valve and pump head. This not only reduces wear on pump and drive components, but also protects against rapid heat rise. If the bypass is being redirected to the pump inlet, a thermal valve is recommended as a safeguard against excessive heat.

Discharge Accessories



Relief Valves

Reliable and accurate secondary backup pressure relief.

- Opens auxiliary passage to allow flow out of system when exceeding preset system pressure.
- Heavy duty; conveniently mounts directly into discharge line.
- Wide pressure and flow range models available.

MODEL	FLOW RANGE		PRESSURE RANGE		PORTS	
	gpm	lpm	psi	bar	Inlet/Discharge	Bypass

BRASS MODELS

75005.100	0.5 - 6	1.9 - 23	100 - 2000	7 - 140	3/8" NPT(M)	3/8" NPT(F)
7190	0 - 6.5	0 - 25	400 - 5000	28 - 345	3/8" BSP(F)	3/8" BSP(F)
7620.100	0.5 - 7.8	1.9 - 30	100 - 3145	7 - 220	3/8" BSP(M)/BSP(F)	3/8" BSP(F)
7630.100	2 - 10	8 - 40	400 - 5100	28 - 350	3/8" NPT(M)/BSP(F)	1/2" NPT(F)
7693.100	2.5 - 10.5	9.5 - 40	230 - 2300	16 - 60	3/8" NPT(F)	3/8" NPT(F)
7694.100	2.5 - 10.5	9.5 - 40	400 - 4050	28 - 280	3/8" NPT(F)	3/8" NPT(F)
7537.100	1 - 21	3.8 - 38	230 - 2600	16 - 179	1/2" NPT(F)	1/2" NPT(F)
7542.100	1 - 21	3.8 - 80	800 - 4000	55 - 275	1/2" NPT(F)	1/2" NPT(F)
7196	0 - 21	0 - 38	100 - 7250	7 - 500	1/2" BSP(F)	3/8" BSP(F)
7590.100	10 - 52	38 - 200	400 - 2175	28 - 150	1" NPT(F)	1" NPT(F)
7595	1 - 53	3.8 - 200	260 - 2600	18 - 180	3/4" NPT(F)	1/2" NPT(F)

STAINLESS STEEL MODELS

7501.100**	0.5 - 6	1.9 - 23	100 - 2000	7 - 140	3/8" NPT(M)	3/8" NPT(F)
890708**	0 - 13	0 - 49	2500 - 10000	175 - 690	2" NPT(M)	2" NPT(F)
7531.100*	1 - 21	3.8 - 38	400 - 2200	28 - 155	1/2" NPT(F)	1/2" NPT(F)
7533.100*	1 - 21	3.8 - 38	800 - 4000	55 - 275	1/2" NPT(F)	1/2" NPT(F)
7536.100*	1 - 21	3.8 - 38	3000 - 5700	210 - 400	1/2" NPT(F)	1/2" NPT(F)
7034**	1 - 21	3.8 - 38	400 - 2200	28 - 155	1/2" NPT(F)	1/2" NPT(F)
7036**	1 - 21	3.8 - 38	800 - 4000	55 - 275	1/2" NPT(F)	1/2" NPT(F)
7037**	1 - 21	3.8 - 38	3000 - 5700	210 - 400	1/2" NPT(F)	1/2" NPT(F)
890718**	10 - 50	38 - 189	1000 - 8000	70 - 550	2" NPT(M)	2" NPT(M)
890709**	20 - 60	76 - 227	1500 - 4000	105 - 275	2" NPT(F)	2" NPT(M)
809731**	15 - 75	56 - 284	100 - 400	7 - 28	2" NPT(F)	2" NPT(M)
890700**	30 - 180	114 - 680	1000 - 3000	70 - 210	2" NPT(F)	2" NPT(M)
890702**	25 - 210	95 - 795	500 - 2000	35 - 140	2" NPT(F)	2" NPT(M)
890706**	15 - 260	57 - 984	250 - 1000	17 - 210	2" NPT(F)	2" NPT(M)
890704**	45 - 320	170 - 1211	500 - 2000	35 - 140	2" NPT(F)	2" NPT(M)

* 304 Stainless Steel
** 316 Stainless Steel



Need more information?

Find Product Data Sheets online at catpumps.com

Pop-Off Valves

Economical, secondary pressure relief protection.

- Opens when system exceeds preset pressure.
- Lightweight, compact design quickly and conveniently mounts directly into discharge line.
- Ultra compact models for portable systems.



MODEL	MAXIMUM FLOW		PRESSURE RANGE		PORTS	
	gpm	lpm	psi	bar	Inlet/Discharge	Bypass
BRASS MODELS						
30960	6	23	300 - 1500	20 - 105	1/4" NPT(M)	3/4" Barb
33960	6	23	300 - 1500	20 - 105	3/8" NPT(M)	3/4" Barb
33960S	6	23	300 - 1500	20 - 105	3/8" NPT(M)	3/4" Barb
30961	6	23	1000 - 3000	70 - 210	3/8" NPT(M)	3/4" Barb
33961	6	23	1000 - 4000	70 - 275	1/4" NPT(M)	3/4" Barb
33961S	6	23	1000 - 4000	70 - 275	1/4" NPT(M)	3/4" Barb
33962	6	23	1000 - 4000	70 - 275	3/8" NPT(M)	3/4" Barb
33962S	6	23	1000 - 4000	70 - 275	3/8" NPT(M)	3/4" Barb
9940	25	95	1000 - 4000	70 - 275	3/4" NPT(M)	1" Barb

316 STAINLESS STEEL MODELS

9960	6	23	300 - 1500	20 - 105	1/4" NPT(M)	3/4" Barb
9960S	6	23	300 - 1500	20 - 105	1/4" NPT(M)	3/4" Barb
9961	6	23	1000 - 3000	70 - 210	1/4" NPT(M)	3/4" Barb
9961S	6	23	1000 - 3000	70 - 210	1/4" NPT(M)	3/4" Barb
9962	6	23	1000 - 4000	70 - 275	1/4" NPT(M)	3/4" Barb
9962S	6	23	1000 - 4000	70 - 275	1/4" NPT(M)	3/4" Barb
9920 *	10	76	0 - 10000	0 - 690	3/8" NPT(M)/NPT(F)	3/8" NPT(F)
890711	50	189	1000 - 6000	70 - 414	1" NPT(M)	1" NPT(F)
890721	100	378	100 - 600	7 - 41	2" NPT(M)	2" NPT(F)
890710	100	378	300 - 1500	20 - 105	1" NPT(M)	1" NPT(F)
890715	100	378	1000 - 8000	70 - 550	2" NPT(M)	2" NPT(F)
890712	115	435	500 - 3000	35 - 207	1" NPT(M)	1" NPT(F)
890703	135	511	400 - 1500	28 - 105	2" NPT(M)	2" NPT(F)
890713	210	795	500 - 4000	35 - 275	2" NPT(M)	2" NPT(F)

* Rupture Disc Assembly (Used on models 1810, 1810K)

TECH TIP

Primary and Secondary Relief

Cat Pumps always recommends each high-pressure pumping system to be equipped with a primary and secondary safety relief device as a safeguard against over pressurization. Either a pressure regulator or pressure regulating unloader can be used as a primary relief device, but a pressure relief or pop-off valve should always be included when designing a system. This is an economical alternative to protect a system from failure that can damage expensive system components and lead to costly downtime.

Discharge Accessories



Pressure Gauges

Accurately monitors pump outlet pressure.

- Glycerine filled for consistent and accurate pressure readings.
- Sealed stainless steel case eliminates corrosion risk.

MODEL	PRESSURE RANGE psi	bar	MAXIMUM TEMPERATURE (°F)	PORTS Inlet
-------	-----------------------	-----	-----------------------------	----------------

BRASS MODELS (Brass Fitting and Bourdon Tube, 304 SS Case)

6086	0 - 1500	0 - 105	212	1/4" NPT(M)
6094**	0 - 1500	0 - 105	220	1/8" NPT(M)
6088	0 - 3000	0 - 210	212	1/4" NPT(M)
6096**	0 - 3000	0 - 210	220	1/8" NPT(M)
6089	0 - 6000	0 - 415	212	1/4" NPT(M)

STAINLESS STEEL MODELS (316 SS Fitting and Bourdon Tube, 304 SS Case)

6071	0 - 1500	0 - 105	400	1/4" NPT(M)
6085	0 - 1500	0 - 105	212	1/4" NPT(M)
6073	0 - 3000	0 - 210	400	1/4" NPT(M)
6097	0 - 3000	0 - 210	212	1/4" NPT(M)
6127	0 - 4000	0 - 275	212	1/2" NPT(M)
6076	0 - 6000	0 - 415	400	1/4" NPT(M)
6087	0 - 6000	0 - 415	212	1/4" NPT(M)
6081*	0 - 20000	0 - 1379	212	1/2" NPT(M)

* 316 SS Fitting and Bourdon Tube, black fiberglass reinforced case

** Back Mount



34549

Valve Plug Adapters

Used to directly mount pressure gauge to valve port

- Eliminates need for additional plumbing on discharge port

MODEL	MODELS USED	PORT	MATERIAL
35759	2DX	1/4" NPT(F)	BB
35761	2DX, 3DX	3/8" NPT (F)	BB
34559	5DX	3/8" NPT (F)	BB
35758	66DX	3/8" NPT (F)	BB
998954	3CP	3/8" NPT (F)	BB
76658	3CP, 5PFR	3/8" NPT (F)	BB
34549	5CP, Model 45	3/8" NPT (F)	BB
45939T	56-60	3/8" NPT (F)	BB
34447	7CP, 7, 15 Frame, 5CP6120	3/8" NPT (F)	BB
43848	1530	1/2" NPT (F)	FBB
76795	3507, 3507P, 3517	1/4" NPT (F)	NAB
34798	3527, 3537	3/4" NPT (F)	NAB
997878	3560	1/4" NPT (F)	BB

Pulsation Dampeners

Used when a smooth output flow and pressure are required.

- Pressurized bladder absorbs impact from pressure spikes, providing smooth flow.
- Most models are field repairable and rechargeable.

MODEL	MAXIMUM FLOW		PRESSURE RANGE		BLADDER Material	VOLUME Cubic Inches	PRECHARGE psi	PORT Inlet
	gpm	lpm	psi	bar				

CARBON STEEL, RECHARGEABLE

6011	25	95	100 - 7200	7 - 500	NBR	15	2000	1/2" NPT(F)
6010	40	151	100 - 3000	7 - 210	NBR	45	450	1" NPT(M)
6012	70	265	100 - 1500	7 - 105	NBR	120	450	1-1/4" NPT(M)

CARBON STEEL, SEALED

6026	15	57	300 - 600	20 - 41	NBR	10	250	1/2" NPT(M)
6028	15	57	600 - 1000	41 - 70	NBR	10	450	1/2" NPT(M)

316 STAINLESS STEEL, RECHARGEABLE

6031	15	57	100 - 2400	7 - 168	NBR	10	450	1/2" NPT(M)
6029	15	57	100 - 3000	7 - 210	NBR	10	450	1/2" NPT(M)
6030	15	57	100 - 3000	7 - 210	FPM	10	450	1/2" NPT(M)
6014	25	95	101 - 2400	8 - 168	NBR	20	450	3/4" NPT(M)
6013	40	151	100 - 2000	7 - 140	FPM	45	450	1" NPT(M)
6015	70	265	100 - 1500	7 - 105	NBR	120	450	1-1/4" NPT(M)

316 STAINLESS STEEL, RECHARGEABLE AND REBUILDABLE

701501	15	57	100 - 4300	7 - 296	NBR	6	No Precharge	1/2" NPT(F)
701521	15	57	100 - 4300	7 - 296	EPDM	6	No Precharge	1/2" NPT(F)
701541	15	57	100 - 4300	7 - 296	FPM	6	No Precharge	1/2" NPT(F)
701520	15	57	100 - 8300	7 - 570	NBR	6	No Precharge	1/2" NPT(F)
701535	15	57	100 - 8500	7 - 586	FPM	6	No Precharge	1/2" NPT(F)
701502	25	95	100 - 3800	7 - 265	NBR	15	No Precharge	1/2" NPT(F)
701542	25	95	100 - 3800	7 - 265	FPM	15	No Precharge	1/2" NPT(F)
701522	25	95	100 - 3800	7 - 265	EPDM	15	No Precharge	1/2" NPT(F)
701507	25	95	100 - 7100	7 - 490	NBR	15	No Precharge	1/2" NPT(F)
701537	25	95	100 - 7100	7 - 490	FPM	15	No Precharge	1/2" NPT(F)
701527	25	95	100 - 7100	7 - 490	EPDM	15	No Precharge	1/2" NPT(F)
701610	25	95	100 - 8500	7 - 586	NBR	15	No Precharge	1/2" NPT(F)
701503	75	284	100 - 3000	7 - 210	NBR	30	No Precharge	1" NPT(F)
701543	75	284	100 - 3000	7 - 210	FPM	30	No Precharge	1" NPT(F)
701523	75	284	100 - 3000	7 - 210	EPDM	30	No Precharge	1" NPT(F)
701550	100	378	100 - 3365	7 - 232	NBR	122	No Precharge	1-1/2" NPT(F)
701555	100	378	100 - 6350	7 - 438	NBR	60	No Precharge	1" NPT(F)
701557	320	1211	100 - 1275	7 - 88	NBR	214	No Precharge	1-1/2" NPT(F)
701607	320	1211	100 - 1275	7 - 88	FPM	214	No Precharge	1-1/2" NPT(F)

Pulsation Dampener Ordering Information

For optimal performance, pulsation dampener pre-charge should be set accordingly:

- Rechargeable (6010 – 6031) should be preset at 50% of the operating pressure
- Rebuildable (701501 – 701601) should be preset to 75% of the operating pressure

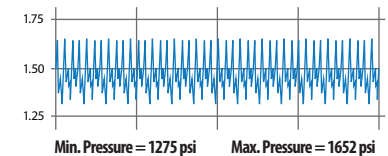
To change the preset precharge, add a .800 to the part number and specify pre-charge pressure.



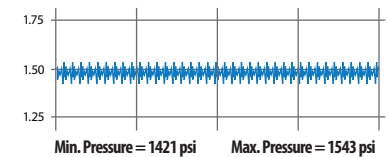
TECH TIP

Due to the design of positive displacement pumps, small pressure spikes are caused during each rotation. In certain operations, these spikes can cause accelerated wear or damage to the pump or downstream components. The installation of a pulsation dampener is your best safeguard against premature wear.

Model 1530 w/o pulsation dampener



Model 1530 w/ pulsation dampener



Pulsation Dampener Benefits:

- Produces smooth, consistent flow
- Protects downstream components (e.g., regulator, unloader, relief valve)
- Reduces water hammer
- Improved performance at low rpm

Inlet Accessories



Filters

Used to filter solid particulates in water.

- Flow from inside-to-outside allows sediment to collect inside the removable filter screen.
- Removable bowl permits easy cleaning without removing filter or plumbing.

MODEL	SUCTION/ PRESSURIZED FLOW		SCREEN		PORTS	
	gpm	lpm	Mesh	Material	Inlet	Discharge
WHITE NYLON BODY						
7104	6/10	23/38	80	S	1/2" NPT(F)	1/2" NPT(F)
7105	15/20	57/76	80	S	3/4" NPT(F)	3/4" NPT(F)
7106	20/25	76/95	80	S	1" NPT(F)	1" NPT(F)
7107	35/50	133/189	80	S	1-1/4" NPT(F)	1-1/4" NPT(F)
7108	60/75	227/284	80	S	1-1/2" NPT(F)	1-1/2" NPT(F)

CLEAR NYLON BODY						
7104.4	6/10	23/38	80	S	1/2" NPT(F)	1/2" NPT(F)
7105.5	15/20	57/76	80	S	3/4" NPT(F)	3/4" NPT(F)
7106.6	20/25	76/95	80	S	1" NPT(F)	1" NPT(F)
7107.7	35/50	133/189	80	S	1-1/4" NPT(F)	1-1/4" NPT(F)
7108.8	60/75	227/284	80	S	1-1/2" NPT(F)	1-1/2" NPT(F)

POLYPROPYLENE BODY (Y-INLINE)						
7109	100/150	378/567	80	SS	2" NPT(F)	2" NPT(F)

WHITE NYLON BODY (MICRO)						
7203	10 gpm max	38	80	S	1/2" NPT(M)	1/2" NPT(M)
7204	10 gpm max	38	80	S	1/2" NPT(F)	1/2" NPT(F)

CLEAR NYLON BODY (MICRO)						
7203.3	10 gpm max	38	80	S	1/2" NPT(M)	1/2" NPT(M)
7204.4	10 gpm max	38	80	S	1/2" NPT(F)	1/2" NPT(F)

REINFORCED COMPOSITE BODY (w/ brass threaded ports, 1/4" BSP(F) auxiliary port)						
32738	8 gpm max	30	50	SS	1/2" BSP(F)	1/2" BSP(M)
32748	8 gpm max	30	50	SS	1/2" BSP(F)	1/2" BSP(F)

S = 304 Stainless steel, SS = 316 Stainless steel Optional Mesh sizes available



Inlet Pressure Gauges

Accurately monitors pump inlet pressure.

- Glycerine-filled for consistent and accurate pressure readings.
- Sealed stainless steel case eliminates corrosion risk.

MODEL	MAXIMUM PRESSURE		PORTS Inlet
	psi	bar	

BRASS MODELS (Brass Fitting and Bourdon Tube, 304 SS Case)			
6082	100	7	1/4" NPT(M) Bottom
997901	400	28	1/4" NPT(M) Bottom

STAINLESS STEEL MODELS (316 SS Fitting and Bourdon Tube, 304 SS Case)			
997068	160	11	1/4" NPT(M) Bottom
997336	160	11	1/4" NPT(M) Panel Mount

Note: Maximum inlet pressure is 70 psi on most pumps. Review pump data sheet.

Inlet Pressure Regulators

Used to set and maintain consistent pressure at pump inlet.

- Convenient, compact inline installation.
- Adjustable and non-adjustable models available.
- Improves pump performance.

MODEL	MAXIMUM FLOW		INLET PRESSURE		OUTLET PRESSURE		PORTS	
	gpm	lpm	psi	bar	psi	bar	Inlet	Outlet
BRASS - NONADJUSTABLE								
7069	10	38	40 - 200	3 - 14	30 - 45	2 - 3	3/4" FGH	3/4" MGH
7071	10	38	40 - 200	3 - 14	30 - 45	2 - 3	3/4" FGH	1/2" NPT(F)
NICKEL ALUMINUM BRONZE - ADJUSTABLE								
7075	15 - 70	57 - 265	40 - 300	3 - 21	20 - 100	1 - 7	1-1/4" NPT(F)	1-1/4" NPT(F)



Captive Acceleration Tubes

Used to maintain consistent inlet pressure when there is high temperature, booster pump feed, or long inlet lines.

- Eliminates cavitation and potentially damaging surges and hydraulic spikes.
- Compact, easy installation with matching adapter assemblies.

MODEL	MAXIMUM FLOW		INLET PRESSURE RANGE		PORTS Adapter sizes available
	gpm	lpm	psi	bar	
STAINLESS STEEL					
711500	15	57	2.0 - 50	0.1 - 3.5	1/2", 3/4", 1", 1-1/4", 1-1/2"
714500	45	170	2.0 - 50	0.1 - 3.5	1", 1-1/4", 1-1/2", 2", 2-1/2"
717500	75	284	2.0 - 50	0.1 - 3.5	2", 2-1/2"
719500	320	1211	2.0 - 60	0.1 - 4.1	6" X ANSI 150, 6" elbow



Fitting Size	CAPTIVE ACCELERATION TUBES			
	711500	714500	717500	719500

STRAIGHT ADAPTER FITTINGS

1/2" NPT(M)	711502			
3/4" NPT(M)	711503			
1" NPT(M)	711504	714504		
1-1/4" NPT(M)	711505	714505		
1-1/2" NPT(M)	711506	714506		
2" NPT(M)		714508	717508	
2-1/2" NPT(M)			717510	

ELBOW ADAPTER FITTINGS

1-1/2"	701818			
2-1/2"		701828		
3"			701833	
6"				719529

Inlet Accessories



Thermal Valves

Eliminates heat build-up in a closed-loop bypass system.

- Lightweight with three port size options for easy installation.

MODEL	MAXIMUM FLOW		MAXIMUM PRESSURE		TEMPERATURE MAX (°F)	PORTS	
	gpm	lpm	psi	bar		Inlet	Bleed

BRASS MODELS

7140	25	95	125	8.6	145	1/4" NPT(M)	1/8" NPT(F)
7141	25	95	125	8.6	145	3/8" NPT(M)	1/8" NPT(F)
7142	25	95	125	8.6	145	1/2" NPT(M)	1/8" NPT(F)
7143	25	95	125	8.6	165	1/4" NPT(M)	1/8" NPT(F)
7144	25	95	125	8.6	165	3/8" NPT(M)	1/8" NPT(F)
7145	25	95	125	8.6	165	1/2" NPT(M)	1/8" NPT(F)
7146	25	95	125	8.6	130	1/4" NPT(M)	1/8" NPT(F)
7170	25	95	125	8.6	180	1/4" NPT(M)	1/8" NPT(F)
7171	25	95	125	8.6	180	3/8" NPT(M)	1/8" NPT(F)
7172	25	95	125	8.6	180	1/2" NPT(M)	1/8" NPT(F)
7175	25	95	125	8.6	190	1/4" NPT(M)	1/8" NPT(F)
7176	25	95	125	8.6	190	3/8" NPT(M)	1/8" NPT(F)
7177	25	95	125	8.6	190	1/2" NPT(M)	1/8" NPT(F)

BRASS -MICRO MODELS

7115	25	95	145	10.0	145	1/4" BSP(M)	7mm
7116	25	95	145	10.0	145	3/8" BSP(M)	7mm
7117	25	95	145	10.0	145	1/2" BSP(M)	7mm

REINFORCED COMPOSITE MODELS

7128	25	95	125	8.6	165	1/4" NPT(M)	1/8" NPT(F)
7129	25	95	125	8.6	165	3/8" NPT(M)	1/8" NPT(F)
7130	25	95	125	8.6	165	1/2" NPT(M)	1/8" NPT(F)
7135	25	95	125	8.6	145	1/4" NPT(M)	1/8" NPT(F)
7136	25	95	125	8.6	145	3/8" NPT(M)	1/8" NPT(F)
7137	25	95	125	8.6	145	1/2" NPT(M)	1/8" NPT(F)
7138	25	95	125	8.6	130	1/4" NPT(M)	1/8" NPT(F)

Specialty Accessories



7126

Quick-Start Valve

Designed to relieve pump discharge line pressure during system start-up.

- Use with a pressure lock-up style unloader (install after unloader).
- Requires less engine or motor start-up power.

MODEL	MAXIMUM FLOW		MAXIMUM PRESSURE		OPENING PRESSURE		INLET PORT	BARB
	gpm	lpm	psi	bar	psi	bar		
7126	8.0	30	4050	280	105	7.25	3/8" NPT(M)	1/4"

Throttle Control

Reduces engine wear and fuel consumption by lowering rpm when pump is in bypass.

- Can be used on any size gas engine.
- Used with pressure regulating unloaders.

MODEL	MAXIMUM PRESSURE		ACTUATION PRESSURE		INLET PORT
	psi	bar	psi	bar	
8100	4000	275	250	18	3/8" NPT(M)



8100

MAG-JET and Pulsator Assemblies

Converts water-pressure pump to a water-jetting pump.

- Eliminates traditional dry pumping chamber that causes damage to pump.
- Easily mounts in the manifold inlet plug on most Cat Pumps models.

MODEL	USED ON PUMP MODELS
-------	---------------------

MAG-JET ASSEMBLIES

31804	3CP1120, 3CP1120G, 3CP1130, 3CP1140
31810	56, 56G1, 57, 59, 60, 60G1
31814	310, 340, 350, 5CP2120W, 5CP2140WCS, 5CP2150W
31815	45, 45G1, 5CP3120, 5CP3120CSS, 5CP3120CSSG1, 5CP5120
31845	51G1, 660, 1050, 5CP6120, 7CP6170

PULSATOR ASSEMBLIES

34455	2SFX series pumps
36086	2SF series pumps
76560	1560
35450	66DX
77030	45F



31845

31815

31810

Flow Switches

Flow control device used to shut down pump when there is no flow to inlet of pump or to shut down system when trigger on gun is released.

- Mount to discharge fitting of unloader to monitor change in flow.
- Use in conjunction with a relay switch.

MODEL	FLOW RANGE		MAXIMUM PRESSURE		MAXIMUM Voltage	PORTS
	gpm	lpm	psi	bar		

BRASS MODELS

33786	1.6 - 8	6 - 30	5100	350	230	3/8" BSP(F)
33776	1.3 - 7	5 - 26	3500	240	250	3/8" BSP(M)



33768

33776

Specialty Accessories



34870

Auto Shut-Off Assemblies

Used to automatically shut system off when trigger gun is released or nozzle is closed.

- Assembly includes a pair of pressure switches, mechanical relay, electrical box and toggle switch.
- Higher horsepower units use a magnetic motor starter and overload heaters.

MODEL	HORSEPOWER/ PHASE	MAXIMUM VOLTS	PRESSURE SWITCH MODELS	MECHANICAL RELAY MODEL	STARTER
34870	2/1	115	31615, 31625	34542	NA
34871	3/1	220	31615, 31625	34543	NA
34944	5/1	230	31625, 31640	NA	34938
31620	5/3	230	31625, 31640	NA	34938



30664.120VAC

LPS Monitors

Designed to sense water leakage past the low-pressure seals.

- Can configure the monitor to PLC or PC based systems.
- Light option to alert maintenance personnel when pump seal replacement is required.

MODEL	USED ON PUMP MODELS
PLC/PC INTERFACE FOR 15 AND 18 FRAME PLUNGER PUMPS	
30664	Plunger pumps: 650 thru 1861K
INDICATOR LIGHT FOR 15 AND 18 FRAME PLUNGER PUMPS	
30664.120AC	Plunger pumps: 650 thru 1861K
PLC/PC INTERFACE FOR 25 FRAME PISTON, 25, 28, 35 AND 38 FRAME PLUNGER PUMPS	
30290, 30292	Piston pumps: 1520 thru 2521 Plunger pumps: 2530 thru 2831K, 3501 thru 3560, 3801 thru 3841K
INDICATOR LIGHT FOR 25 FRAME PISTON, 25, 28, 35 AND 38 FRAME PLUNGER PUMPS	
30290.120AC	Piston pumps: 1520 thru 2521 Plunger pumps: 2530 thru 2831K, 3501 thru 3560, 3801 thru 3841K

Float Valves

Maintains adequate liquid level in reservoir to provide consistent flow to pump inlet.

- Adjustable or preset models available.
- Compact and easy to install.



31013

32010

MODEL	MAXIMUM FLOW gpm	MAXIMUM FLOW lpm	MAXIMUM INLET PRESSURE psi	MAXIMUM INLET PRESSURE bar	INLET PORT	INTERNAL BODY
ADJUSTABLE						
31013	7.1	27	145	10	3/8" BSP(M)	Brass
PRESET						
32010	8.0	30	145	10	3/4" BSP(M)	Polyethylene

Pressure Switches

Pressure-activated control device to control on-off operation of low amp system components.

- Non-adjustable, preset pressure setting for consistent system protection.
- 3 wire construction for either normally open or normally closed operation.



MODEL	MAXIMUM PRESSURE		ENGAGING PRESSURE		VOLTAGE RANGE	MAXIMUM AMP	INLET PORT
	gpm	lpm	psi	bar			
STAINLESS STEEL - NPT PORTS							
31615	3650	250	215	15	12 - 250	6	1/4" NPT(M)
31625	3650	250	360	25	12 - 250	6	1/4" NPT(M)
31640	3650	250	580	40	12 - 250	6	1/4" NPT(M)
STAINLESS STEEL - BSP PORTS							
39132	3650	250	580	40	12 - 250	6	1/4" BSP(M)
32721	5800	400	650	45	12 - 250	6	3/8" BSP(M)

Custom Pumping Systems

YOU DEFINE. WE DESIGN AND DELIVER.

For over 25 years, Cat Pumps has been the industry leader in providing customers with quality custom-engineered pumping systems to meet a wide range of application needs. Each custom system is built to meet the requirements of the individual customer with the assistance and expertise from our technical sales and engineering team. They will assist in all phases of the build, including gathering application information, component/configuration selection, building and testing, as well as start-up support.



By choosing Cat Pumps for a custom system, time and expenses can be significantly saved in these steps:

- Initial Design
- Multiple Source Buying
- Fabrication
- Assembly
- Testing



Operator Controls



Guns and Lance Assemblies

Ergonomic construction with smooth trigger action-reducing operator fatigue.

- Special safety lock to prevent unintentional operation.
- Stainless Steel seat and ball for thousands of continuous cycles.

MODEL	MAXIMUM FLOW		MAXIMUM PRESSURE		TYPE	PORTS	
	gpm	lpm	psi	bar		Inlet	Discharge
BRASS (internal body)							
33425	8	30	2900	200	Front Load	3/8" NPT(F)	1/4" NPT(F)
76150	8	30	3000	210	Shut-off	3/8" NPT(F)	1/4" NPT(F)
76151	8	30	3000	210	Weep	3/8" NPT(F)	1/4" NPT(F)
35150	8	30	5000	345	Shut-off	3/8" NPT(F)	1/4" NPT(F)
35151	8	30	5000	345	Weep	3/8" NPT(F)	1/4" NPT(F)
31260	8	30	5100	350	Pressure Compensating	3/8" NPT(F)	1/4" NPT(F)
31137	10	38	4500	310	Horizontal	3/8" NPT(F)	1/4" NPT(F)
31811	10.5	40	4500	310	Shut-off	3/8" NPT(F)	1/4" NPT(F)
36140	10.5	40	5000	345	Shut-off	3/8" NPT(F)	1/4" NPT(F)
36141	10.5	40	5000	345	Weep	3/8" NPT(F)	1/4" NPT(F)
31265	13	49	3650	250	Pressure Compensating	3/8" NPT(F)	1/4" NPT(F)
31675	15	57	15000	1034	Dump	1/2" NPT(F)	1/4" NPT(F)
39410	21	80	7250	500	Shut-off	1/2" BSP(F)	1/2" BSP(F)
39415	32	121	1750	120	Shut-off	1/2" BSP(F)	1/2" BSP(F)
39420	53	200	2900	200	Shut-off	1/2" BSP(F)	1/2" BSP(F)
STAINLESS STEEL (internal body)							
36126	10	38	4000	275	Shut-off	3/8" NPT(F)	1/4" NPT(F)
33600	10.5	40	5800	400	Pressure Compensating	3/8" NPT(F)	1/4" NPT(F)
STAINLESS STEEL (internal body, with lance)							
39411	21	80	7250	500	Shut-off w/400 mm Lance	1/2" BSP(F)	1/4" BSP(F)
39412	21	80	7250	500	Shut-off w/800 mm Lance	1/2" BSP(F)	1/4" BSP(F)



Need selection assistance?

Browse the complete Cat Pumps accessory catalog using the product selector at catpumps.com. Search by applicable information including model number, performance, material or product type.

You can also browse the training section to find system design, installation and maintenance information, as well as handy formulas and charts to assist in all phases of selection and design.

Lances

A variety of lance types, lengths and materials ready to install to any 1/4" gun.

- Ventilated insulator for operator comfort and safety.
- Durable nozzle protector reducing nozzle and property damage.

MODEL	MAXIMUM FLOW		MAXIMUM PRESSURE		LENGTH		PORTS	
	gpm	lpm	psi	bar	Inches	mm	Inlet	Discharge

ZINC PLATED STRAIGHT TUBE WITH HAND GRIP

32264	10.5	40	3650	250	24	600	1/4" BSP(M)	1/4" BSP(M)
36267	10.5	40	3650	250	36	900	1/4" BSP(M)	1/4" BSP(M)
32268	10.5	40	3650	250	48	1200	1/4" BSP(M)	1/4" BSP(M)

ZINC PLATED TUBE WITH VENTED GRIP AND NOZZLE PROTECTOR

31017	10.5	40	3650	250	27	900	1/4" BSP(M)	1/4" NPT(F)
33201 *	10.5	40	3650	250	35	890	1/4" BSP(M)	1/4" BSP(F)
32036	10.5	40	3650	250	36	900	1/4" NPT(M)	1/4" NPT(F)
32031	10.5	40	3650	250	36	900	1/4" BSP(M)	1/4" NPT(F)
32032	10.5	40	3650	250	48	1200	1/4" BSP(M)	1/4" NPT(F)

* Dual Lance

STAINLESS STEEL TUBE WITH VENTED GRIP AND NOZZLE PROTECTOR

31219	8	30	5100	350	32	812	1/4" NPT(M)	1/4" NPT(F)
31220	8	30	5100	350	42	1065	1/4" NPT(M)	1/4" NPT(F)
32042	10.5	40	3650	250	36	900	1/4" NPT(M)	1/4" NPT(F)
33200 *	10.5	40	3650	250	43	1090	1/4" BSP(M)	1/4" BSP(F)

* Dual Lance

LANCE ASSEMBLY

33220	8	30	2900	200	12	305	1/4" NPT(M)	Coupler
33221	8	30	2900	200	20	508	1/4" NPT(M)	Hex Adapter
32798	10	38	3000	210	15	380	M18	1/8" NPT(F)
33798	10	38	3000	210	39	990	M18	1/8" NPT(F)
32437 **	21	80	7250	500	16	406	1/2" BSP(M)	1/4" NPT(F)
32438 **	21	80	7250	500	32	812	1/2" BSP(M)	1/4" NPT(F)

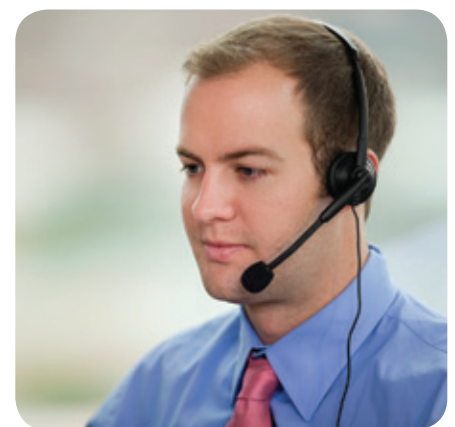
** 304 Stainless steel



Industry Leading Customer Service

Cat Pumps employs a knowledgeable and experienced customer service team that provides assistance with order information, as well as technical assistance in product selection, installation, maintenance support, pump repair and general system troubleshooting.

Live support is available M – F, 8:00 a.m. to 5:00 p.m. CST at (763) 780-5440.
Email: techsupport@catpumps.com



Operator Controls



Nozzles

Applicator/orifice defines rate and pattern of fluid.

- Easily mounts to a 1/4" Lance.
- Nozzle types available: change over, rotating and turbo.
- Durable ceramic nozzle/insert for greater resistance to wear.

MODELS	MAXIMUM FLOW		MAXIMUM PRESSURE		PORT
	gpm	lpm	psi	bar	
CHANGE OVER NOZZLE WITH TWO 1/4" NPT(F) NOZZLE HOLDERS					
32149	7	26	2900	200	1/4" BSP(F)

MODELS	NOZZLE SIZE	FLOW RANGE		PRESSURE RANGE		PORT
		gpm	lpm	psi	bar	
TURBO-NOZZLES (with ceramic nozzle)						
7265.35	3.5	1.9-3	7-11	1200-3000	85-210	1/4" BSP(F)
7265.40	4	2.2-3.5	8.3-13	1200-3000	85-210	1/4" BSP(F)
7265.45	4.5	2.4-3.9	9-14.8	1200-3000	85-210	1/4" BSP(F)
7265.50	5	2.8-4.4	10.6-16.7	1200-3000	85-210	1/4" BSP(F)
7265.55	5.5	3-4.8	11.1-18.2	1200-3000	85-210	1/4" BSP(F)
7265.60	6	3.2-5.2	12.1-19.7	1200-3000	85-210	1/4" BSP(F)
7265.65	6.5	3.6-5.7	13.6-21.6	1200-3000	85-210	1/4" BSP(F)
7270.35	3.5	2.5-3.9	9.5-14.8	2000-5000	140-345	1/4" BSP(F)
7270.45	4.5	3-5	11.4-18.9	2000-5000	140-345	1/4" BSP(F)
7270.55	5.5	3.8-6.2	14.4-23.5	2000-5000	140-345	1/4" BSP(F)
7270.65	6.5	4.6-7.3	17.4-27.6	2000-5000	140-345	1/4" BSP(F)
7270.80	8	5.6-8.9	21.2-33.7	2000-5000	140-345	1/4" BSP(F)
7270.90	9	6.4-10	24.2-37.9	2000-5000	140-345	1/4" BSP(F)
ROTATING NOZZLES (with ceramic insert)						
7625.30	3	1.6-2.9	6.1-11	1200-3650	85-250	1/4" BSP(F)
7625.35	3.5	1.9-3.3	7.2-12.5	1200-3650	85-250	1/4" BSP(F)
7625.40	4	2.2-3.8	8.3-14.4	1200-3650	85-250	1/4" BSP(F)
7625.45	4.5	2.4-4.3	9.1-16.3	1200-3650	85-250	1/4" BSP(F)
7625.50	5	2.8-4.8	10.6-18.2	1200-3650	85-250	1/4" BSP(F)
7625.55	5.5	3-5.2	11.4-19.7	1200-3650	85-250	1/4" BSP(F)
7625.60	6	3.2-5.7	12.1-21.6	1200-3650	85-250	1/4" BSP(F)
7625.65	6.5	3.6-6.2	13.6-23.5	1200-3650	85-250	1/4" BSP(F)
7625.70	7	3.8-6.7	14.4-25.4	1200-3650	85-250	1/4" BSP(F)
7625.80	8	4.4-7.7	16.7-29.1	1200-3650	85-250	1/4" BSP(F)
7632.35	3.5	2.8-3.9	10.6-14.8	2600-5100	180-350	1/4" BSP(F)
7632.40	4	3.2-4.5	12.1-17	2600-5100	180-350	1/4" BSP(F)
7632.45	4.5	3.6-5.1	13.6-19.3	2600-5100	180-350	1/4" BSP(F)
7632.50	5	4-5.6	15.1-21.2	2600-5100	180-350	1/4" BSP(F)
7632.55	5.5	4.4-6.2	16.7-23.5	2600-5100	180-350	1/4" BSP(F)
7632.60	6	4.8-6.7	18.2-25.4	2600-5100	180-350	1/4" BSP(F)
7632.65	6.5	5.2-7.3	19.7-27.6	2600-5100	180-350	1/4" BSP(F)
7632.70	7	5.6-7.9	21.2-29.9	2600-5100	180-350	1/4" BSP(F)

Need selection help?

If psi and nozzle gpm is known, then nozzle number can be calculated as follows:

$$\text{Nozzle number} = \text{gpm} \times \sqrt{\frac{4000}{\text{psi}}}$$

If psi and nozzle number is known, then gpm can be calculated as follows:

$$\text{gpm} = \text{nozzle number} \times \sqrt{\frac{\text{psi}}{4000}}$$

If gpm and nozzle number is known, then psi can be calculated as follows:

$$\text{psi} = \left(\frac{\text{gpm}}{\text{nozzle number}} \right)^2 \times 4000$$

A nozzle selection chart can also be found online at catpump.com in the reference documents section.

Foamers

Draws chemical and air to create thick foam.

- Lance and chemical bottle can be fitted to a standard 1/4" gun.
- Convenient chemical injector adjustment knob or handle for adjusting chemical draw.
- Stainless Steel orifice and FPM O-rings for chemical compatibility.



39234

MODELS	MAXIMUM FLOW		MAXIMUM PRESSURE		TYPE	PORT
	gpm	lpm	psi	bar		

FOAMER, WITH AND WITHOUT BOTTLE

32017	6.5	25	2900	200	W/O Bottle	1/4" BSP(F)
39234	6.5	25	2900	200	W/1 Liter Bottle	1/4" BSP(F)
39196	6.5	25	2900	200	W/2 Liter Bottle	1/4" BSP(F)

Chemical Injectors

Provides and regulates chemicals into pump stream.

- Must be used with change-over or adjustable nozzle to activate chemical draw with reduced downstream pressures.
- Mount directly to unloader or in-line on discharge plumbing.



7192

MODEL	ORIFICE SIZE mm	FLOW RANGE		MAXIMUM PRESSURE		PORTS	
		gpm	lpm	psi	bar	Inlet	Discharge

BRASS - ADJUSTABLE

7182	1.8 mm	3 - 4	11.4 - 15	3500	245	3/8" NPT(M)	3/8" NPT(M)
7192	1.8 mm	3 - 4	11.4 - 15	3500	245	M18 x 1.0	3/8" NPT(M)
7183	2.1 mm	4 - 5	15 - 19	3500	245	3/8" NPT(M)	3/8" NPT(M)
7193	2.1 mm	4 - 5	15 - 19	3500	245	M18 x 1.0	3/8" NPT(M)
7184	2.3 mm	5 - 6	19 - 23	3500	245	3/8" NPT(M)	3/8" NPT(M)
7194	2.3 mm	5 - 6	19 - 23	3500	245	M18 x 1.0	3/8" NPT(M)
7224	2.3 mm	5 - 6	19 - 23	3500	245	M22 x 1.5	3/8" NPT(M)

BRASS - FIXED

7231	1.8 mm	2	7.6	3145	217	M18 x 1.0	3/8" NPT(M)
7242	2 mm	2.9	12.9	2500	175	M18 x 1.0	3/8" NPT(M)
7234	2.3 mm	2 - 5	7.6 - 19	3200	220	M22 x 1.5	3/8" NPT(M)
7232	2.1 mm	3	11.4	3145	217	M18 x 1.0	3/8" NPT(M)
7332	2.1 mm	3 - 4	11.4 - 15	3000	210	M18 x 1.0	3/8" NPT(M)
7243	2.1 mm	3 - 5	11.4 - 19	4000	275	M22 x 1.5	3/8" NPT(M)
7345	2.1 mm	3 - 5	11.4 - 19	4000	275	M18 x 1.0	3/8" NPT(M)
7367	2.1 mm	3 - 5	11.4 - 19	4000	275	M20 x 1.0	3/8" NPT(M)

STAINLESS STEEL - ADJUSTABLE

7722	1.8 mm	3 - 4	11.4 - 15	3500	245	3/8" NPT(M)	3/8" NPT(M)
7723	2.1 mm	4 - 5	15 - 19	3500	245	3/8" NPT(M)	3/8" NPT(M)
7724	2.3 mm	5 - 6	19 - 23	3500	245	3/8" NPT(M)	3/8" NPT(M)

Operator Controls



Pulse Pumps

High-pressure injection downstream from the system pump.

- Eliminates harsh chemicals passing through pump.
- Simple field retrofit of existing pumps.

MODEL	MAXIMUM FLOW		MAXIMUM PRESSURE		PORTS	
	gpm	lpm	psi	bar	Inlet/Discharge	Manifold

PULSE PUMPS FOR PISTON PUMPS

6300	.25	1	1000	70	1/4" NPT(M)	1/2" NPT(M)
6305	1	3	1000	70	3/8" NPT(M)	3/4" NPT(M)

MODEL	FLOW RANGE		PRESSURE RANGE		PORTS	
	gph	lph	psi	bar	Inlet	Discharge

PULSE PUMPS FOR PLUNGER AND PISTON PUMPS

6350	1.0 - 12	3.7 - 45.4	500 - 3000	35 - 210	1/4" Hose Barb	1/8" NPT(F)
------	----------	------------	------------	----------	----------------	-------------

Note: Contact Cat Pumps for selection of Adapter Assembly to fit your pump model.

Lubrication Accessories



6107

Crankcase Oil

Genuine Cat Pumps crankcase oil provides maximum life and performance.

- Custom blend, premium grade, petroleum-based hydraulic oil for all Cat Pumps
- Anti-wear additives protects metal-to-metal drive surfaces, extending drive life
- High oxidative and chemical stability resists deposit formations and provides consistent fluid performance
- Premium anti-corrosion additives offer protection in the most demanding operating environments

PART NUMBER	CAPACITY	PUMP MODELS
-------------	----------	-------------

OIL

6100	Case - 12-21 ounce bottles	All piston and plunger pumps
6105	Twin pack - 2 x 2.5 gallons	All piston and plunger pumps
6107	Bottle - 21 ounces	All piston and plunger pumps
6109	Drum - 30 gallons	All piston and plunger pumps
6115	Pail - 5 gallons	152R060/C, 152R080/C, 152R100/C, 157R060/080
6116	Drum - 16 gallons	152R060/C, 152R080/C, 152R100/C, 157R060/080

OILERS GRAVITY FEED WITH 1/4" NPT(M) THREADS

30278	1 ounce	2520/C, 2510/11, 2530-2537, Except 2831/K, 35/38 Series, Except 3541/C, 3545, 3841/K
30429	10 ounces	6020, 6040, 6760-6777, Except 6747, 6861/K, Except 6801/K-6841/K

Oil Drain/Level Indicator Kits

Easily monitor crankcase oil level at-a-glance and improve pump maintenance.

- Conveniently monitor oil when existing bubble gauge is obscured.
- Oil drain kit can be mounted at desired location for easy maintenance.

MODEL	USED ON PUMP MODELS
OIL LEVEL INDICATOR	
76144	Piston pumps: 1520 thru 6041 Plunger pumps: 2510 thru 6861K EXCEPT 35 and 38 Frame series
OIL LEVEL INDICATOR W/DRAIN KIT	
76334	All Piston and Plunger pumps and 66DX, EXCEPT Plunger pumps 2DX, 2SF, 2SFX, 4DX, 4DNX, 4SF and 4SPX series
76074	All stainless steel or nickel aluminum bronze pumps EXCEPT Plunger pumps 2DX, 2SF, 2SFX, 4DX, 4DNX, 4SF, 4SPX and 66DX series
DRAIN KITS	
34314	Piston pumps: 6020 thru 6041 Plunger pumps: 3501 thru 3560, 3801 thru 3841K, 6747 Thru 6777 and 6801 thru 6861K
34334	All piston and plunger pumps and 66DX, EXCEPT plunger pumps 2DX, 2SF, 2SFX, 4DX, 4DNX, 4SF and 4SPX series
990394	Plunger pumps: 2DX, 2SF, 2SFX, 4DX, 4DNX, 4SF and 4SPX series



76334

Gear Lube

Maximize life with genuine Cat Pumps Gear Lube.

- Low friction and operating temperature for low wear, extending gear box life.
- Anti-wear, anti-rust, anti-corrosion formulation to extend gearbox life.
- Excellent oxidation and thermal stability extends fluid life.
- Used on all Cat Pumps gearbox pumps except 3CP1120G (crankcase oil is used instead of Gear Lube).

PART NUMBER	CAPACITY	PUMP MODELS
GEARLUBE		
6110	Bottle - 16 ounces	45G1, 56G1, 60G1, 5CP3120G1, 5CP5140CSSG1, 5CP5150G1,
6111	Case, 12-16 ounce bottles	5CP6120G1, 5CP6190G1, 7CP6110G1, 7CP6111G1



6110

Anti-Seize and Sealants

Sealant and anti-seize ensure proper pump operation.

- Anti-Seize protects metal-to-metal surfaces from galling, seizing, friction and wear.
- Sealant is used to fill between mating surfaces within the manifold.

PART NUMBER	CAPACITY	PUMP MODELS
ANTI-SEIZE AND SEALANTS		
6106	2 milliliters	Anti-seize for pump shafts and keys - all plunger pumps
6119	2 ounces	Anti-seize for threads - all stainless steel plunger pumps
6124	3 ounces	Liquid gasket for o-rings, seals - all plunger pumps



6124



6106

Pump Accessories



Protectors – Shaft and Oil Cap

Safety devices to eliminate exposure to rotating pump shaft and to minimize water leakage into pump.

- Shaft protector not included with pump unless otherwise noted.
- Oil cap protector not included with pump except 35/38 series pumps.

PART NUMBER	MATERIAL	PUMP MODELS
SHAFT PROTECTORS		
25130	STCP	230-277, 280, 290, 333, 430
26516	STCP	2520/C, 2510/11, 2530-2537, 2831/K
29445	AL	6020, 6040, 6747, 6760-6777, 6801/K, 6811/K, 6821/K, 6831/K, 6841/K, 6861/K Included with pump.
30764	NY	650, 660, 1050, 1530, 1540E, 1560
30764S	NY*	661C, 661D, 1051, 1051C, 1051D, 1057, 1531, 1541, 1861/K, 1810/K
43139	STCP	621, 623, 820, 821, 1010, 1011
43256	STCP	530, 550
44516	NY	3501/C, 3507/C, 3511/C, 3517/C, 3520/C, 3521/C, 3527, 3531/C, 3535/C, 3537, 3541/C, 3545, 3560, 3801/K, 3811/K, 3821/K, 3831/K, 3841/K Included with pump.
118672	STCP	310-350S, 311-357, 3CP1120-1140, 3CP1221-1241, 5CP2120W/2150W, 5CP3120, 5CP6120-6190, 5CP6221/6251
120220	STCP	7CP6170

* Nylon protectors w/ two stainless screws.

OIL CAP PROTECTORS

Oil fill cap protector prevents water from entering crankcase. Not included with pump except on 35 and 38 series pumps.

828710	PE	All piston and plunger pumps except the 1CX, 2DX, 2SF, 2SFX, 3CP, 4DX, 4DNX, 4SF, 4SPX, 5CP, 66DX, 67DX and 3CP/5CP series pumps.
--------	----	--

Material codes: AL = Aluminum, NY = Nylon, PE = Polyethylene, STCP = Steel/Chrome Plated

Support You Expect

In addition to receiving the highest quality products available in the industry, Cat Pumps customers also enjoy the following benefits:

- 99.7% order fill rate, year after year, with world-class inventory management
- 95% of orders ship within 24 hours
- Hundreds of knowledgeable distributors worldwide stocking genuine Cat Pumps products

A strong and loyal customer-base, backed by worldwide service, means wherever your business goes, Cat Pumps will be there for you.



Keys – Direct Drive

Provides alignment and secures pump shaft to motor shaft or hub/pulley.

- Keys supplied with Cat Pumps.
- Keys supplied with gearboxes and flexible couplings.



PART NUMBER	SIZE (mm) UNLESS AS NOTED	PUMP MODELS
30050	3/16" x 3/16" x 1-1/4"	2SF Electric, Gas and Stainless Steel Series
30088	1/4" x 1/4" x 1-3/8"	Flexible Couplings: 8220, 8225, 8230
34050*	3/16" x 3/16" x 27mm	2DX.MIST, 2DX20ES, 2DX30GS, 4DNX25GSI/27GSI, 4DX Series
44294	3/16" x 3/16" x 1-3/4"	Gearboxes (engine side): 8010, 8075
44455	1/4" x 1/4" x 2-5/32"	45F Gas Series, Gearboxes (engine side): 8051, 8065, 8068, 8071, 8076, 8077, 8081
44459	8 x 7 x 24mm	Gearboxes (pump side): 8051, 8071
45217**	1/4" x 1/4" x 64mm	66DX30G11/35G11/40G11
46076*	1/4" x 1/4" x 2-1/2" Tapered	45F Electric Series
49411	1/4" x 1/4" x 59mm	67DX39G11
57352	5 x 5 x 21mm	Gearboxes (pump side): 8010, 8075
76059*	1/8" x 1/8" x 1-1/2"	1CX Electric Series
101814	6 x 6 x 27	Gearboxes (pump side): 8065, 8068, 8076, 8077, 8081
831844**	1/4" x 1/4" x 56mm	4SPX32G11

Note: * Hardened ** Surface Hardened

Keys – Belt Drive

Provides alignment and secures pump shaft to hub/pulley.

- Keys not supplied with pump.

PART NUMBER	SIZE (mm) UNLESS AS NOTED	PUMP MODELS
30047	5 x 5 x 24	280, 290, 333, 430, 230-277, 3CP1120-1140, 1221-1241
30057	6 x 6 x 25 (round end)	323, 390, 45, 310-350S, 311-357, 5CP2120W-2150W, 5CP3120/3120CSS, 5CP5120-5140CSS, 5CP6120-6190, 5CP6221-6251 and Clutch models: 34962/63, 34970/80
30067	8 x 7.25 x 25	56, 530, 550, 700, 781/K, 650-661D, 1050-1057, 1530/31, 1540E/41, 1810/K, 1861/K, 7CP6110-7CP6171
30089	5 x 5 x 36.5	Clutch models: 34960/961, 34964/965
34021	10 x 8 x 70	3501/C, 3507/C, 3511/C, 3517/C, 3520/C, 3521/C, 3527, 3531/C, 3535/C, 3537, 3541/C, 3545, 3560, 3801-3841K
35034	6 x 8 x 26 Step	Clutch model: 34299
43048	14 x 9 x 90	6020, 6040, 6747, 6760-6777, 6801-6861K
50146	7 x 7 x 40	621, 623, 820, 821, 1010, 1011
890601	28 x 170 Step	152R060/C, 152R080/C, 152R100/C, 157R060, 157R080
890602	28 x 16 x 170	152R060/C, 152R080/C, 152R100/C, 157R060, 157R080
990036	8 x 7 x 40	2520/C, 1530/31, 1540E/41, 1560, 2510/11, 2530-2537, 2831/K
990069	8 x 6.35 x 40	Clutch model: 34563
991036	8 x 7 x 36	Clutch model: 34628

Pump Accessories



Rail, Direct Mount and Complete Mounting Assemblies

Mount pump onto a secure, horizontal base with either rail assemblies or direct mount assemblies.

- Rail assembly, direct mount assembly or complete mounting assembly not included with pump unless otherwise noted.
- Use direct mount assembly when mounting block or flat base is used or pulley extends over edge of base.

PART NUMBER	PUMP MODELS
RAIL ASSEMBLIES - STEEL/ZINC PLATED	
126604	6020, 6040, 6747, 6760 - 6777, 6801/K, 6811/K, 6821/K, 6831/K, 6841/K, 6861/K Included with pump
30611	333, 430, 323, 390, 310 - 350S, 311 - 357, 530, 550, 700, 781/K, 31, 45, 60, 5CP2120W-2150W, 5CP3120/3120CSS, 5CP5120-5140CSS, 5CP6120-6190, 5CP6221-6251
30612	280, 290, 230-277, 3CP1120-1140, 3CP1221-1241
30613	623-1010, 650-661D, 1050-1057, 1530/31, 1540E/41, 1560, 1861/K, 1810/K, 7CP6110-6171
30614	2520/2520C, 2510/11, 2530-2537, 2831/K
30637	5CP2120W-2150W, 5CP3120/3120CSS, 5CP5120-5140CSS, 5CP6120-6190, 5CP6221-6251
30645	530, 550, 45, 56, 60, 700, 781/K
76513	310-350S, 311-357, 530, 550, 56, 60, 5CP2120W-2150W, 5CP3120/3120CSS, 5CP5120-5140CSS, 5CP6120-6190, 5CP6221-6251
92674	3501/C, 3507/C, 3511/C, 3517/C, 3520/C, 3521/C, 3527, 3531/C, 3535/C, 3537, 3541/C, 3545, 3560, 3801/K, 3811/K, 3821K, 3831/K, 3841/K
990550	650-661D, 1050-1057 For Diesel or Gas mounts
DIRECT MOUNT ASSEMBLIES - STEEL/ZINC PLATED	
30243	333, 430, 323, 390, 310-350S, 311-357, 530, 550, 700, 781/K, 30-35, 45, 56, 60, 5CP2120W-2150W, 5CP3120/3120CSS, 5CP5120-5140CSS, 5CP6120-6190, 5CP6221-6251
30264	623-1010, 650-661D, 1050-1057, 1530/31, 1540E/41, 1560, 1861/K, 1810/K, 7CP6110-6171
34018	3520/C, 3535, 3545, 3560
34039*	3501/C, 3507/C, 3511/C, 3517/C, 3521/C, 3527, 3531/C, 3537, 3541/C, 3801/K, 3811/K, 3821K, 3831/K, 3841/K
Note: * 304 stainless steel	
MOUNTING ASSEMBLIES (Includes: rails, key, pulley/hub and shaft protector)	
30641	3CP1120-1140, 3CP1221-1241
30651	280, 290, 230-277
30652	333, 430
30653	623-1010
30659	323, 390, 310-350S, 311-357, 5CP2120W-5CP2150W, 5CP3120/CSS, 5CP5120-5CP5140CSS, 5CP6120-5CP6190, 5CP6221-6251
30660	530, 550, 700, 781/K, 56, 60
30661	650-661D, 1050-1057, 1530/31, 1540E/41, 1560, 1861/K, 1810/K

Drive Accessories

Bell Housing and Flexible Coupling

Compact direct mounting to electric motors reduces space requirements.

- Coupling assembly includes metric and standard coupling halves, spyder and keys.
- Special urethane flexible spyder designed for extended life with high temperature and high rpm
- Used with standard NEMA motors



5CP6190BH73

Direct-Drive Mounting Components

BELL HOUSING ASSEMBLY

PUMP SERIES	MODELS	MOTOR FRAME	BELL HOUSING ASSY
3CP Series	3CP1120 - 40, 3CP1231 - 41	56C - 145TC	76056.3CP
		182/184TC	34423
		213/215TC	76215.3CP
3FR Series	230 - 270, 231 - 241, 237 - 247	56C - 145TC	34121
		182/184TC	34126
		213/215TC	76215.3FR
5CP Series	5CP3110CSS - 5CP6190, 5CP6221 - 5CP6251	56C - 145TC	76056.5CP
		182/184TC	76184.5CP
		213/215TC	76215.5CP
5FR Series	340 - 350, 341 - 351, 347 - 357	254/256TC	76256.5CP
		182/184TC	76184.5FR
		213/215TC	76215.5FR
7CP Series	7CP6110, 7CP6111	182/184TC	76184.7CP
		213/215TC	76215.7CP
		254/256TC	76256.7CP
7FR/8FR Series	56, 60, 700, 781, 781K	213/215TC	76215.7FR
		254/256TC	76256.7FR



76000 Series

FLEXIBLE COUPLER ASSEMBLY

PUMP SERIES	MOTOR FRAME	FLEX COUPLER ASSY	HP RATING
3CP & 3FR	56C	8215	3
	145TC	8210	3
	182/184TC	8220	3
	182/184TC	8225	10
	213/215TC	8270	20
5CP & 5FR	145TC	8260	10
	182/184TC	8230	10
	213/215TC	8275	20
7CP & 7FR	254/256TC	8217	20
	182/184TC	8370	10
	213/215TC	8375	10
	254/256TC	8380	20



8230



8001

Motor Flange Mount

Completely assembled unit with pump, flange mount and motor for use in limited space requirements.

- Reduces assembly time and multiple sourcing.
- Used with hollow shaft motors.

PUMP MODELS	FLANGE PART NO.	MOTOR PART NO. / SPECS	MOTOR PUMP UNITS
STANDARD PLUNGER PUMPS			
230, 231, 237	8020	8023ES - 1.5HP/1PH	230BD151, 231BD151, 237BD151
230 - 277	8021	8024ES - 3.0HP/1PH	230BD31, 231BD31, 237BD31, 240BD31, 241BD31, 247BD31, 270BD31, 271BD31, 277BD31
230 - 277	8021	8025ES - 3.0HP/3PH	230BD33, 231BD33, 237BD33, 240BD33, 241BD33, 247BD33, 270BD33, 271BD33, 277BD33
	8022	8026ES - 3.0HP/1PH	340BD31, 341BD31, 347BD31, 350BD31, 351BD31, 357BD31
340, 340B, 340S, 341, 347, 350, 350B, 350S, 351, 357	8022	8027ES - 3.0HP/3PH	340BD33, 341BD33, 347BD33, 350BD33, 351BD33, 357BD33
	8022	8028ES - 5.0HP/1PH	340BD51, 341BD51, 347BD51, 350BD51, 351BD51, 357BD51
	8022	8029ES - 5.0HP/3PH	340BD53, 341BD53, 347BD53, 350BD53, 351BD53, 357BD53
CP SERIES PLUNGER PUMPS			
3CP1130, 3CP1231	8001	8023ES - 1.5HP/1PH	3CP1130BD151, 3CP1231BD151
	8002	8024ES - 3.0HP/1PH	3CP1120BD31, 3CP1130BD31, 3CP1140BD31, 3CP1221BD31, 3CP1241BD31
3CP1120-1140, 3CP1221, 1241	8002	8025ES - 3.0HP/3PH	3CP1120BD33, 3CP1130BD33, 3CP1140BD33, 3CP1221BD33, 3CP1241BD33
3CP1120, 1130, 1140	8002	8038ES - 6.0HP/3PH	3CP1120BD63, 3CP1130BD63, 3CP1140BD63
	8002	8041ES - 6.0HP/1PH	3CP1120BD61, 3CP1130BD61, 3CP1140BD61
	8003	8026ES - 3.0HP/1PH	5CP2140WBD31, 5CP2150WBD31, 5CP6251BD31
	8003	8027ES - 3.0HP/3PH	5CP2140WBD33, 5CP2150WBD33, 5CP6251BD33
5CP2140WCS, 5CP2150W, 5CP6251	8003	8028ES - 5.0HP/1PH	5CP2140WBD51, 5CP2150WBD51, 5CP6251BD51
	8003	8029ES - 5.0HP/3PH	5CP2140WBD53, 5CP2150WBD53, 5CP6251BD53
	8003	8040ES - 6.0HP/3PH	5CP2140WBD63, 5CP2150WBD63
5CP2140WCS, 5CP2150W	8003	8042ES - 6.0HP/1PH	5CP2140WBD61, 5CP2150WBD61

Gearboxes

Easily mounts directly to a standard 1" gas engine without need for pulleys and belts.

- Retrofit an existing pump with gearbox.
- Pump models with gearboxes available as noted.



8071

MODEL	PUMP MODELS
8051	51G1
8065	45G1
8071	56G1, 60G1, 700G1
8075*	3CP1120G, 3CP1211G
8076	5CP3120CSSG1, 5150G1, 5CP6120CSSG1, 6190G1
8081	7CP6110G1, 7CP6111G1
8086	5CP5140CSSG1

Note: G1 = 1" Gearbox. All gearbox versions also available in 1-1/8". Contact Cat Pumps for more info.
 *3/4" Gearbox

Hollow Shaft Direct-Drive Pumps

Cat Pumps has a complete offering of hollow shaft direct-drive pumps that mount directly to electric motor or gas engine.

SHAFT DIAMETER	MOTOR FACE	PUMP MODELS
ELECTRIC MOTOR DRIVEN		
1/2"	Contact Cat Pumps	1CX013ELS.MIST, 1CX025ELS.MIST, 1CX05ELS.MIST
5/8"	56C	2DX20ES, 2DX05ELS.MIST, 2DX15ES.MIST, 2DX20ES.MIST, 2DX27ES.MIST, 2DX30ES.MIST, 2SF10ES, 2SF20ES, 2SF22ELS, 2SF22ES, 2SF29ELS, 2SF30ES, 2 SF35ES, 2SF05SEEL, 2SF10SEEL, 2SF15SEEL, 2SF22SEEL, 2SF25SEEL, 2SF29SEEL, 2SF35SEEL, 2SF42SEEL, 2SFX20ES, 2SFX22ES, 2SFX30ES
3/4"	56C	2SF30GES, 2SF35GES, 2SFX30GES, 3SPX35GEI
1-1/8"	184TC/215TCZ*	4SF40ELS, 4SF45ELS, 4SF50ELS

* 215TCZ = 184TC Shaft on a 215TC Motor

SHAFT DIAMETER	MOUNTING FLANGE	PUMP MODELS
GAS ENGINE DRIVEN		
3/4"	SAE J609*	2SF30GS, 2SF35GS, 2SFX30GS, 2SFX30GZ, 4DX Series, 4DNX25GSI/27GSI
1"	SAE J609**	4SF35GS1, 4SF40GS1, 4SF45GS1, 4SF50GS1, 4SPX32G1I, 66DX30G1I, 66DX35G1I, 66DX40G1I

Note: * Flange A, Extension 3, Shaft Length-2.296, Pilot-1.625 diameter, Bolt Center-3.625 diameter
 Note: ** Flange B, Extension 4, Shaft Length-3.250, Pilot-5.750 diameter, Bolt Center-6.500 diameter

Additional direct-drive pumps and accessories can be found online at catpumps.com.



30945

Hubs and Hub/Key Assembly

Metric sized hubs to match metric shaft diameter of pump.

- Contact Cat Pumps for available hubs for motor shafts.
- Metric sized hub with matching metric key for pump shaft only.

PUMP SHAFT DIAMETER (mm)	TYPE	PART NUMBER	PUMP MODELS
--------------------------	------	-------------	-------------

HUB (steel)

16.5	H	30943 *	230-277, 280, 290, 333, 430, 3CP1120-140, 3CP1221-1241
20	H	30945 *	310-350S, 323, 390, 311-357, 45, 5CP2120W-2150W, 5CP3120/3120CSS, 5CP5120-5140CSS, 5CP6120-6190, 5CP6221-6251
24	B	997866	
24	B	998755	
24	H	33000 *	530, 550, 700, 781/K, 56, 60, 7CP6110-7CP6171
24	P1	990596	
24	Q1	997857	
25	H	30234	621, 623, 820, 821, 1010, 1011
30	B	990012 *	
30	H	30059 *	
30	P1	990034	650-661D, 1050-1057, 1530/31, 1540E/41, 1560, 1861/K, 1810/K, 2510/11, 2530-2537, 2831/K
30	Q1	991711 *	
30	SK	999045	
35	B	990013 *	
35	E	998708	
35	P1	990032	3501/C, 3507/C, 3511/C, 3517/C, 3520/C, 3521/C, 3527, 3531/C, 3535/C, 3537, 3541/C, 3545, 3560, 3801/K, 3811/K, 3821/K, 3831/K, 3841/K
35	Q1	991788	
35	SK	990076	
45	B	990014 *	
45	E	990065 *	6020, 6040, 6747, 6760-6777, 6801/K, 6811/K, 6821/K, 6831/K, 6841/K, 6861/K
45	J	990064	
100	M	990068	152R060/C, 152R080/C, 152R100/C, 157R060, 157R080

Note: *Add "Z" to part number for zinc plated hub

HUB AND KEY ASSEMBLY (steel)

16.5	H	30942	280, 290, 333, 430, 3CP1120-1140, 3CP1221-1241, 230-277
20	H	30944	323, 390, 310-350S, 311-357, 45, 5CP2120W-2150W, 5CP3120/3120CSS, 5CP5120-5140CSS, 5CP6120-6190, 5CP6221-6251
25	H	30284	621, 623, 820, 821, 1010, 1011
30	H	30209	2510/11, 2520/C, 2530-2537, 2831/K

Need selection help?

Q. How can I find the rpm needed to get specific gpm (Gallons Per Minute) I want?

A.
$$\text{Desired rpm} = \frac{\text{Desired gpm} \times \text{Rated rpm}}{\text{Rated gpm}}$$

Q. I have to run my pump at a certain rpm. How do I figure the gpm I'll get?

A.
$$\text{Desired gpm} = \frac{\text{Desired rpm} \times \text{Rated gpm}}{\text{Rated rpm}}$$

Q. Is there a simple way to find the approximate horsepower I'll need to run the pump?

A. Electric Brake Horsepower
(Standard 85% Mech. Efficiency)

$$\text{Required hp}^* = \frac{\text{gpm} \times \text{psi}}{1460}$$

Q. What size motor pulley should I use?

A.
$$\text{Pump Pulley (Outer Diameter)} \times \frac{\text{Pump rpm}}{\text{Motor/Engine rpm}}$$

*Consult Engine Manufacturer

Clutches

Engages/disengages pump and drive device to meet flow demands.

- Reduces amount of time pump is running, saving energy and increasing pump life.
- Broad range of clutches up to 100 ft-lbs torque for high performance.



34965

MODELS	CLUTCH DIAMETER/ NUMBER OF GROOVES	BELT TYPE	PUMP MODELS
34960	7" / 1	A	3CP1120-1140, 3CP1221-1241
34961	7" / 1	A	280, 290, 333, 430, 230-277
34962	7" / 1	A	323, 390, 310-350S, 311-357, 45
34963	7" / 2	A	323, 390, 310-350S, 311-357, 45
34964	7" / 2	A	280, 290, 333, 430, 230-277
34965	7" / 2	A	3CP1120-1140, 3CP1221-1241
34970	7" / 1	A	
34980	7" / 2	A	5CP2120W-2150W, 3120/3120CSS, 5120-5140CSS, 6120-6190, 6221-6251
34299	7.3" / 8	Poly-V, L-Style	
34959	7.3" / 8	Poly-V, L-Style	56, 60, 530, 550, 700, 781/K
34971	7.3" / 8	Poly-V, L-Style	7CP6110-7CP6171
76970	10" / 2	B	5CP Plunger Pumps
76980	10" / 2	B	323, 390, 310-350S, 311-357, 45
34628	12.4" / 1	B	56, 60, 530, 550, 700, 781/K
34630	12.4" / 2	B	56, 60, 530, 550, 700, 781/K
34563	12.4" / 2	B	650-661D, 1050-1057, 1530/31, 1540E/41, 1560, 1861/K, 1810/K

Pulleys and Pulley/Hub w/Key

A combination one-piece pulley and hub construction for pump shaft installation.

- Contact Cat Pumps for available pulley sizes for either pump or motor side.



30206

PUMP SHAFT DIAMETER (mm)	PART NUMBER	PULLEY DIAMETER NO. OF GROOVES	BELT TYPE	PUMP MODELS
--------------------------	-------------	--------------------------------	-----------	-------------

PULLEY/HUB COMBINATION WITH TWO SET SCREWS (steel/zinc plated)

16.5	30032	5" / 1	A	230-277, 280, 290, 333, 430, 3CP1120-1140, 3CP1221-1241
16.5	30048	8" / 1	A/B	230-277, 280, 290, 333, 430, 3CP1120-1140, 3CP1221-1241
20	30058	8" / 1	A/B	323, 390, 310-350S, 311-357, 30, 45, 5CP2120W-2150W, 5CP3120/3120CSS, 5CP5120-5140CSS, 5CP6120-6190, 5CP6221-6251

PULLEY/HUB COMBINATION WITH TWO SET SCREWS AND KEY ASSEMBLY (steel)

16.5	30244	8" / 1	A/B	280, 290, 333, 430, 230-277, 3CP1120-1140, 3CP1221-1241
16.5	30246	5" / 1	A	280, 290, 333, 430, 230-277, 3CP1120-1140, 3CP1221-1241
20	30633	8" / 1	A/B	323, 390, 310-350S, 311-357, 30, 45, 5CP2120W-2150W, 5CP3120/3120CSS, 5CP5120-5140CSS, 5CP6120-6190, 5CP6221-6251

PULLEY ONLY (cast iron)

HUB SIZE	PART NUMBER	PULLEY DIAMETER NO. OF GROOVES	BELT TYPE	PUMP MODELS
H	30206	10" / 2	A/B	530, 550, 623-1010, 700, 781/K, 650-661D, 1050-1057, 1530/31, 1540E/41, 1560, 1861/K, 1810/K, 2510/11, 2530-2537, 2831/K

Service Tools



Wrenches

Simplifies servicing the crankcase, plunger rod or manifold.

- T-Wrenches used for servicing crankcase or plunger
- L-Wrenches used for servicing valves
- Allen wrenches used for serving SF, CP, DX, DNX series manifolds

T-WRENCHES

MODEL	25052	25082	44044	25324	25053
SIZE	M8	M10	M11	M13	M14

L-WRENCHES

MODEL	44046	44045
SIZE	M24	M27

ALLEN WRENCHES

MODEL	30941	33046	33047	33048	33049	34113	34030
SIZE	M6	M8	M10	M12	M14	7/64"	5/32"



Pliers

Quick valve and snap ring removal/installation.

- Reverse pliers used for easy valve seat removal
- Snap ring pliers used for Captive Acceleration Tube assemblies

REVERSE PLIERS

MODEL	30696
--------------	-------

SNAP RING

MODEL	33285
--------------	-------



Oil Gauge Removal Tool

Quick and easy replacement of crankcase oil gauge.

- Required for replacement of oil gauge

MODEL	44050
SIZE	M28

Seal Case Removal Tools

Simplifies seal replacement for various plunger pumps.

- Available as 1/2" socket or T-wrench

1/2" DRIVE SOCKETS

MODEL	33004	33005	33006
FRAME	5 Frame	7 Frame	15 Frame

T-WRENCHES

MODEL	45103	43257	43523
FRAME	5 Frame	7 Frame	15 Frame



Piston Pump Tools

These specialty installation tools minimize risk of damage to cup/seal during replacement.

- Used for piston pumps only

CUP INSTALLATION

MODEL	16981	22130	43548	43749	27964	43189	15770	27853
MODELS USED	820	280, 290, 430, 623	320, 323	333	390	1020	1010, 1520	2520

SEAL INSTALLATION

MODEL	25084	43182	43181
FRAME	3, 4 Frame	25 Frame	60 Frame



Cat Pumps Online



Catpumps.com is the web-based resource center for Cat Pumps.

- Keep current on "What's New" at Cat Pumps
- Product selector for pumps and accessories to make it easy to find products
- 2D/3D CAD drawings
- Troubleshooting and service videos
- Product training: how Cat Pumps products work
- Complete sales and technical literature library
- Distributor search



Cat Pumps occupies over 145,000 sq. ft. at its world headquarters in Minneapolis, MN.

Cat Pumps Locations

Cat Pumps – World Headquarters

1681 94th Lane Northeast
Minneapolis, MN 55449
USA

P: (763) 780-5440
F: (763) 780-2958
techsupport@catpumps.com
www.catpumps.com

Territories Served

U.S., Canada

International Division

P: (763) 780-5440
F: (763) 785-4329
intlsales@catpumps.com
www.catpumps.com

Territories Served

Africa, Asia, Australia, Central and
South America, Mexico, Middle East,
New Zealand, Turkey

Cat Pumps International N.V.

Heiveldekens 6A
2550 Kontich
Belgium

P: 32 3 450 71 50
F: 32 3 450 71 51
cpi@catpumps.be
www.catpumps.be

Territories Served

Western Europe (except U.K.,
Germany, and Austria)

Cat Pump (U.K.) Ltd.

1 Fleet Business Park, Sandy Lane
Church Crookham
FLEET, Hampshire GU52 8BF
England

P: +44 1252 622031
F: +44 1252 626655
sales@catpumps.co.uk
technical@catpumps.co.uk
www.catpumps.co.uk

Territories Served

England, Ireland, Scotland,
N. Ireland, Wales

Cat Pumps Deutschland GmbH

Buchwiese 2, D-65510
Idstein
Germany

P: +49 6126 9303 0
F: +49 6126 9303 33
catpumps@t-online.de
www.catpumps.de

Territories Served

Austria, Commonwealth of Independent States
(CIS), Germany and Eastern Europe

SALES, DISTRIBUTION, SERVICE Call today for product and application assistance. (763) 780-5440 or visit us at www.catpumps.com



CAT PUMPS

1681 - 94TH LANE N.E. MINNEAPOLIS, MN 55449-4324
PHONE (763) 780-5440 — FAX (763) 780-2958
e-mail: techsupport@catpumps.com
www.catpumps.com

For International inquiries go to www.catpumps.com and navigate to the "Contact Us" link.

©2014 Cat Pumps Inc. All rights reserved. All written and visual data contained in this document are based on the latest product information available at the time of publication. Cat Pumps reserves the right to make changes at any time without notice. All other brand names or marks are used for identification purposes and are trademarks of their respective owners.