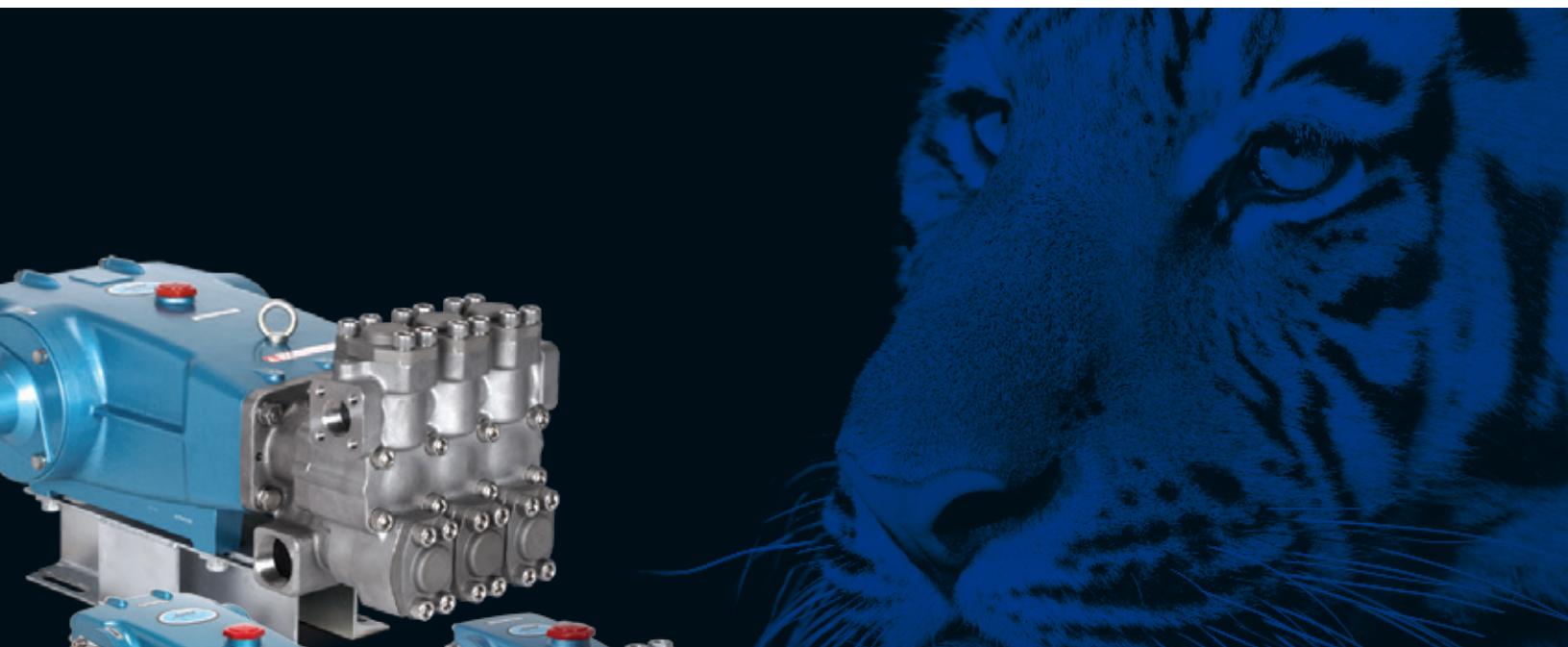




Pump Catalog



Product Quality, Reliability and Support You Expect

www.catpumps.com

World Leader in Triplex Reciprocating High-Pressure Pumps

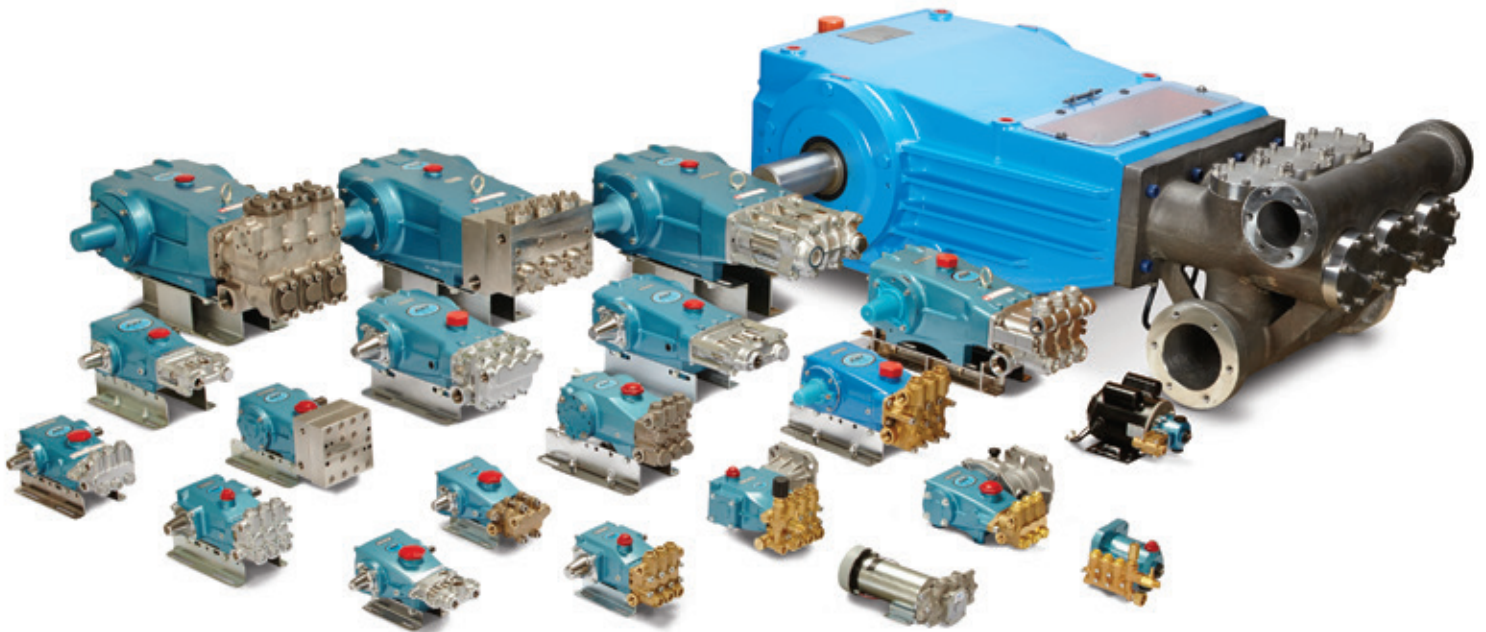
Every design detail of our products is based on our commitment to produce the highest-quality, longest lasting products available to our customers. Building on our superior design, Cat Pumps quality is further enhanced by manufacturing production in ISO 9001 registered facilities, where repeatable process result in reliable product performance. Cat Pumps maintains a rigorous zero defect quality assurance program to guarantee consistently high quality products – every time.

Nothing outruns, outlasts and outperforms Cat Pumps products. As one of our first customers stated, Cat Pumps produces “The Pumps with Nine Lives.”

Product Performance Range:

A wide range of pump options are available, including a variety of products that meet various industry certifications and directives.

- Flow: 0.13 to 240 gpm (0.49 to 908 lpm)
- Pressure: 100 to 10,000 psi (7 to 689 bar)
- RPM: 100 to 3450
- Liquid Temperature: -10° to 240°F (-23° to 116°C)
- Materials: Brass, Nickel Aluminum Bronze, 304 and 316 Stainless Steel, Duplex Stainless Steel
- Drives: Electric, Engine, Hydraulic, Pneumatic



Product Ordering

Using This Catalog

The pump sections are organized by drive type and flow rate by manifold materials; Brass, 316 Stainless Steel, Duplex Stainless Steel and Nickel Aluminum Bronze. The model numbers listed represent standard pump model offering equipped with Buna-N seals and O-rings, except for specialty pumps, like CO₂, TEG and Portable Extractor which are fitted with unique seals for the application.

Standard Buna-N pump seals and/or O-rings can be changed by adding a suffix to the standard model number that represents the desired new seal material.

Optional Seal and O-Ring Configurations		
MATERIAL CODE	DESCRIPTION	PUMP MODEL SUFFIX
FPM	Fluorocarbon (Viton®) seals and O-rings	.0110
EPDM	Ethylene Propylene Diene Monomer seals and O-rings	.0220
HT	High-temperature seal for plunger pump high pressure seals	.3000
	High-temperature V-HOT cup for piston pumps, rated to 190° F	.3000
STHT	Special Teflon® high temperature low and high pressure seals, rated to 200° F	.3400
PTFE	Pure Polytetrafluoroethylene (Teflon®) seals and Buna-N O-rings	.0700
	Pure Polytetrafluoroethylene (Teflon®) seals and FPM O-rings	.0710
IPFE	Pure Polytetrafluoroethylene (Teflon®) seals and Isolast O-rings	.0770
NBRS	Buna-N silicone free seals and O-rings	.6000

Viton® and Teflon® are registered trademarks of DuPont Dow Elastomers.

Example

Pump model 3535 can be changed from Buna-N to either FPM or EPDM. To convert pump model 3535 from Buna-N seals and O-rings to FPM (Viton®), add the suffix (.0110) to the standard pump model number (3535.0110). Use this new number when ordering the pump.

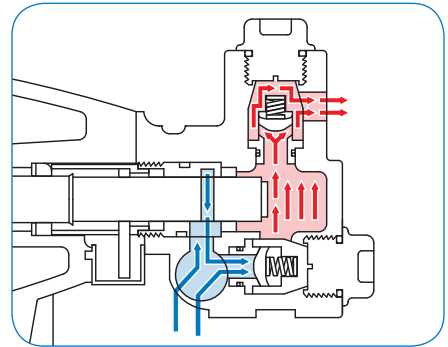
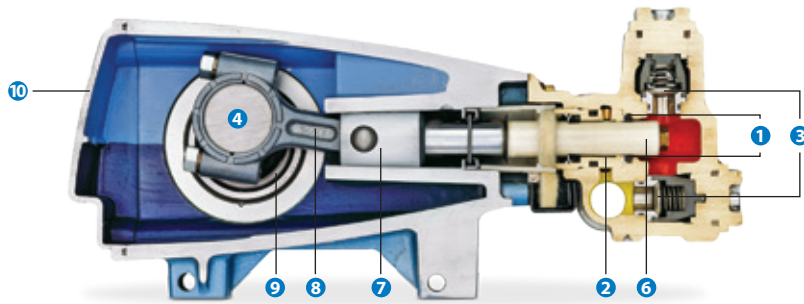
Cat Pumps configures a number of pumps for special applications and certifications such as, ATEX, CO₂, TEG, Flushed, High-Temp and others. Please contact Cat Pumps directly at (763) 780-5440 for more information.

Table of Contents

Direct Drive Plunger Pumps	Page	Specialty Pumps	Page
Hollow Shaft: Brass Manifold	6 – 7	Piston Pumps	14
Hollow Shaft: 316 Stainless Steel	7	Flush Manifold Pumps	15
Gearbox: Brass Manifold	7	TEG Pumps	16
Gearbox: 316 Stainless Steel Manifold	8	Liquid CO ₂ Pumps	17
Bell Housing: Brass Manifold	8	1XP Series Portable Extractor Pumps	18
Bell Housing: 316 Stainless Steel Manifold	8	Centrifugal Pumps	19
Bell Housing: 316 Nickel Aluminum Bronze Manifold	9	Custom Pumping Systems	20 - 21
Belt Drive Plunger Pumps		Accessories	22
Brass and 304 Stainless Steel	10 – 11	Investing in Our Products	23
316 Stainless Steel	12		
Duplex Stainless Steel	13		
Nickel Aluminum Bronze	13		

Pump Design

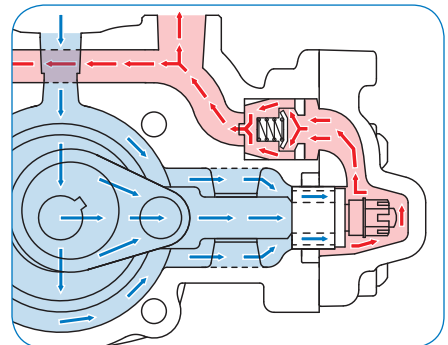
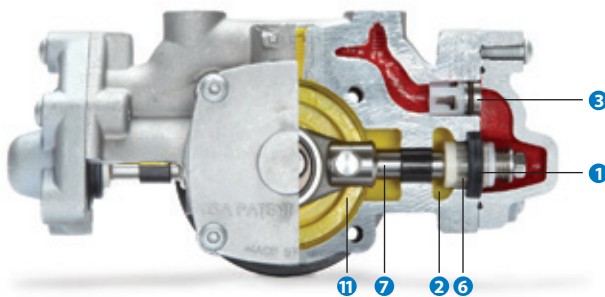
Plunger Pumps (0.13 – 240 gpm, 100 – 10,000 psi)



Plunger pumps utilize spring-loaded closed and hydraulically opened inlet and discharge valves to direct flow through the pump manifold. At the beginning of the stroke, the plunger displaces the liquid in the manifold chamber, forcing the discharge valve open. When the plunger reaches the end of the stroke, the discharge valve closes. As the plunger rod begins its backward stroke, the inlet valve opens to allow more liquid

into the manifold chamber, thereby keeping a smooth forward flow of liquid. The spring-reinforced, preset packing design of the plunger pumps tolerates significantly greater pressure than piston pumps. The plunger pumps also offer tremendous versatility with optional direct coupling drives and wet-end material options.

XP Series, Plunger Pumps (0.5 – 2 gpm, 100 – 1000 psi)



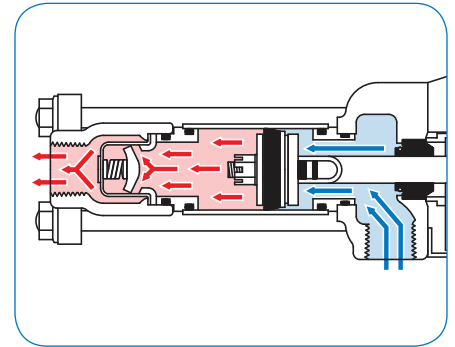
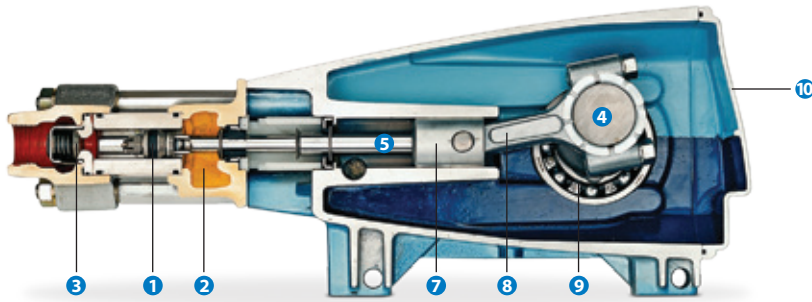
In XP series pumps, fluid enters the inlet port and flows through the drive-end, lubricating the connecting rods and plunger rods as it passes to the inlet valves. Both inlet and discharge valves are spring-loaded closed and hydraulically opened, similar to plunger pumps, however, they utilize a flow-through ceramic plunger design. The continuous forward flow characteristics in conjunction with the packing design of plunger pumps result

in improved suction capabilities as well as extended seal life. At the beginning of the stroke, the inlet valve is closed against the ceramic plunger and the flow is forced out through the discharge valve. As the plunger rod begins its backward stroke, the inlet valve opens, moving away from the ceramic plunger, allowing the inlet flow to enter the manifold chamber through the passages in the ceramic plunger.

Features

- 1 Specially formulated, Cat Pumps exclusive high-pressure seals/cups offer unmatched performance and seal life.
- 2 100% wet cup/seal design adds to service life by allowing pumped fluids to cool and lubricate the elastomers on both sides.
- 3 Stainless steel valves, seats and springs provide corrosion-resistance, positive seating and long life.
- 4 Chrome-moly crankshaft provides unmatched strength and surface hardness for long life.
- 5 The patented stepped piston rod with hard chrome-plated sleeve provides a durable wear surface and easy wet end servicing.
- 6 Precision-polished, solid ceramic plungers provide maximum resistance to corrosion and abrasion, extending seal life.

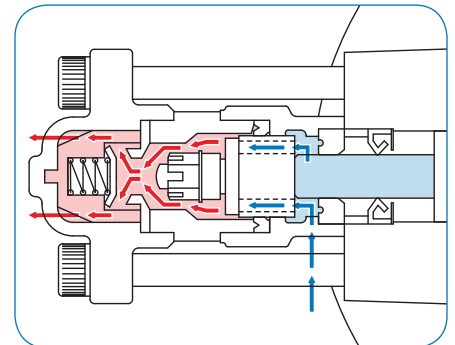
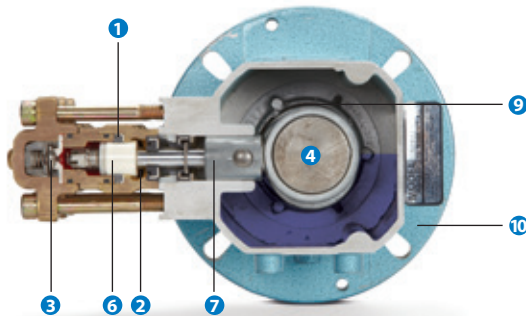
Piston Pumps (3.0 – 60 gpm, 100 – 1,500 psi)



Flow through the piston pump moves continually in one, smooth forward direction. This allows greater suction capabilities and reduces the risk of cavitation. At the beginning of the stroke, the mechanically actuated inlet valve (and piston) will close. As the piston rod moves forward, the liquid is forced out through the discharge valves. Simultaneously, the liquid enters the

pump inlet and flows in behind the inlet valve. As the piston rod begins the backward stroke, the inlet valve mechanically opens, permitting the liquid to continue its flow forward through the piston into the discharge chamber, until the stroke is completed.

SF Series, Plunger Pumps (0.5 – 5 gpm, 100 – 3,500 psi)



In SF series pumps, both the inlet and discharge valves are spring-loaded closed and hydraulically opened, similar to plunger pumps, however, they have a flow-through ceramic plunger design. The continuous forward flow characteristic of piston pumps is utilized in conjunction with the packing design of the plunger pumps. These features give SF pumps both strong suction capabilities and higher-pressure performances.

At the beginning of the stroke, the inlet valve is closed against the ceramic plungers and the flow is forced out through the discharge valves. As the plunger rod begins its backward stroke, the inlet valve opens, moving away from the ceramic plunger, allowing the inlet flow to enter the manifold chamber through the passages in the ceramic plunger.

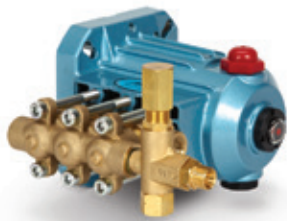
- 7 The high-strength stainless steel plunger rods have a 360° supported crosshead providing uncompromising plunger rod alignment.
- 8 Matched oversized connecting rods are made of high-strength material with exceptional bearing quality.
- 9 Oversized ball bearings or tapered roller bearings provide extended bearing life.

- 10 High-strength, lightweight die cast aluminum crankcase with splash oil design allows operation at speeds as low as 100 rpm.
- 11 Patented greaseless design uses water from inlet as lubrication, eliminating the maintenance and mess of grease or oil.

Plunger Pumps



Model 2DX20ES



Model 2SF10ES



Model 4SF45ELS



Model 4DNX25GSI

DIRECT DRIVE, HOLLOW SHAFT, BRASS MANIFOLD

Electric Motor, 5/8", 3/4", and 1", 56C Face (Except for 1CX Series Pumps)

PUMP MODEL	MAXIMUM FLOW		MAXIMUM PRESSURE		RPM	SHAFT	POWER	
	gpm	lpm	psi	bar			hp	kW
1CX013ELSPD251	0.13	0.5	1,000	69	1725	n/a	0.1	0.1
1CX025ELSPD251	0.25	1.0	1,000	69	1725	n/a	0.2	0.1
1CX05ELSPD501	0.5	1.9	1,000	69	1725	n/a	0.3	0.3
2DX05ELS.MIST	0.5	1.9	2,000	138	1725	5/8"	0.7	0.5
2SF10ES	1	3.8	2,000	138	3450	5/8"	1.4	1.0
2DX15ES.MIST	1.5	5.7	2,000	138	3450	5/8"	2.1	1.5
2DX20ES	2	7.6	2,000	138	3450	5/8"	2.7	2.0
2DX20ES.MIST	2	7.6	2,000	138	3450	5/8"	2.7	2.0
2SF20ES	2	7.6	2,000	138	3450	5/8"	2.7	2.0
2SFX20ES	2	7.6	2,000	138	3450	5/8"	2.7	2.0
2SF22ELS	2.2	8.4	2,000	138	1725	5/8"	3.0	2.2
2SF22ES	2.2	8.4	2,000	138	1725	5/8"	3.0	2.2
2SFX22ES	2.2	8.4	2,000	138	1725	5/8"	3.0	2.2
2DX27ES.MIST	2.7	10.3	2,000	138	3450	5/8"	3.7	2.7
2SF29ELS	2.85	10.8	1,500	103	1725	5/8"	2.9	2.2
2DX30ES.MIST	3	11.4	1,500	103	3450	5/8"	3.1	2.3
2SF30ES	3	11.4	1,500	103	3450	5/8"	3.1	2.3
2SFX30ES	3	11.4	1,500	103	3450	5/8"	3.1	2.3
2SF30GES	3	11.4	2,000	138	3450	3/4"	4.1	3.0
2SF35ES	3.5	13.3	1,500	103	3450	5/8"	3.6	2.7
2SF35GES	3.5	13.3	2,000	138	3450	3/4"	4.8	3.5
3SPX35GEI	3.5	13.3	2,500	172	3450	1"	6.0	4.4

DIRECT DRIVE, HOLLOW SHAFT, BRASS MANIFOLD

Electric Motor, 1 1/8", 184TC Face

PUMP MODEL	MAXIMUM FLOW		MAXIMUM PRESSURE		RPM	SHAFT	POWER	
	gpm	lpm	psi	bar			hp	kW
4SF40ELS	4	15.2	3,500	241	1725	1 1/8"	9.6	7.1
4SF45ELS	4.5	17.1	3,000	207	1725	1 1/8"	9.2	6.8
4SF50ELS	5	19.0	3,000	207	1725	1 1/8"	10.3	7.6

DIRECT DRIVE, HOLLOW SHAFT, BRASS MANIFOLD

Engine, 3/4"

PUMP MODEL	MAXIMUM FLOW		MAXIMUM PRESSURE		RPM	SHAFT	HP
	gpm	lpm	psi	bar			Typical Gas Engine
4DNX25GSI	2.5	9.5	2,850	197	3450	3/4"	6.5
4DNX27GSI	2.7	10.3	2,850	197	3450	3/4"	8
3DX29GSI	2.9	11.0	2,500	172	3450	3/4"	6.5
2SF30GS	3	11.4	2,000	138	3450	3/4"	6.5
2SFX30GS	3	11.4	2,000	138	3450	3/4"	6.5
2SFX30GZ	3	11.4	2,500	172	3450	3/4"	8
3DX30GSI	3	11.4	2,500	172	3450	3/4"	8
2SF35GS	3.5	13.3	2,000	138	3450	3/4"	8

DIRECT DRIVE, HOLLOW SHAFT, BRASS MANIFOLD
Engine, 1"

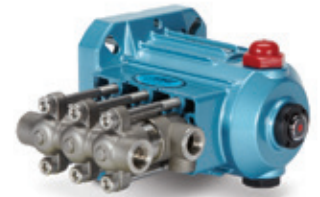
PUMP MODEL	MAXIMUM FLOW		MAXIMUM PRESSURE		RPM	SHAFT	HP	
	gpm	lpm	psi	bar			Typical Gas Engine	
66DX30G1I	3	11.4	4,000	276	3450	1"	13	
4SPX32G1I	3.2	12.2	3,000	207	3450	1"	9	
4SF35GS1	3.5	13.3	3,500	241	3450	1"	13	
66DX35G1I	3.5	13.3	4,000	276	3450	1"	13	
4SF40GS1	4	15.2	3,500	241	3450	1"	13	
66DX40G1I	4	15.2	4,000	276	3450	1"	16	
4SF45GS1	4.5	17.1	3,000	207	3450	1"	13	
4SF50GS1	5	19.0	3,000	207	3450	1"	16	



Model 66DX40G1I

DIRECT DRIVE, HOLLOW SHAFT, 316 STAINLESS STEEL MANIFOLD
Electric Motor, 5/8", 56C Face

PUMP MODEL	MAXIMUM FLOW		MAXIMUM PRESSURE		RPM	SHAFT	POWER	
	gpm	lpm	psi	bar			hp	kW
2SF05SEEL	0.5	1.9	1,200	83	1725	5/8"	0.4	0.3
2SF10SEEL	1	3.8	1,200	83	1725	5/8"	0.8	0.6
2SF15SEEL	1.5	5.7	1,200	83	1725	5/8"	1.2	0.9
2SF22SEEL	2.2	8.4	1,200	83	1725	5/8"	1.8	1.3
2SF25SEEL	2.5	9.5	1,200	83	1725	5/8"	2.1	1.5
2SF29SEEL	2.85	10.8	1,200	83	1725	5/8"	2.3	1.7
2SF35SEEL	3.5	13.3	1,200	83	1725	5/8"	2.9	2.1
2SF42SEEL	4.2	16.0	1,000	69	1725	5/8"	2.9	2.1



Model 2SF29SEEL

DIRECT DRIVE, HOLLOW SHAFT GEARBOX, BRASS MANIFOLD
Engine, 3/4" and 1"

PUMP MODEL	MAXIMUM FLOW		MAXIMUM PRESSURE		RPM		SHAFT	HP	
	gpm	lpm	psi	bar	Pump	Engine		Typical Gas Engine	
740G1	2.8	10.6	5000	345	1700	3465	1"	13	
3CP1120G	3.5	13.3	2,200	152	1420	3600	3/4"	8	
5CP3160CSSG1	4	15.2	3,500	241	1627	3320	1"	13	
60G1	4.2	16.0	4,000	276	1570	3200	1"	18	
5CP3120CSSG1	4.5	17.1	3,500	241	1645	3353	1"	16	
45G1	4.5	17.1	3,500	241	1645	3353	1"	16	
700G1	4.5	17.1	5,000	345	1700	3465	1"	20	
5CP5140CSSG1	5.5	20.9	3,500	241	1500	3060	1"	18	
5CP6120CSSG1	6.7	25.5	1,600	110	1570	3200	1"	8	
56G1	8	30.4	2,500	172	1760	3600	1"	16	
5CP6190G1	8.7	33.1	1,200	83	1570	3200	1"	11	
7CP6110G1	10	38.0	2,000	138	1667	3400	1"	18	
7CP6170G1	12	45.6	1,800	124	1600	3264	1"	16	

Note: All 1" Gearboxes are also available in 1 1/8" size (G118)



Model 56G1



Model 5CP3120CSSG1

Plunger Pumps

DIRECT DRIVE, HOLLOW SHAFT GEARBOX, 316 STAINLESS STEEL MANIFOLD

Engine, 1"



Model 7CP6111G1

PUMP MODEL	MAXIMUM FLOW		MAXIMUM PRESSURE		RPM		SHAFT	HP Typical Gas Engine
	gpm	lpm	psi	bar	Pump	Engine		
341G1	4	15.2	2000	138	1725	3515	1"	8
781G1	4.5	17.1	5,000	345	1700	3465	1"	20
351G1	5	19	1,500	103	1725	3515	1"	8
7CP6111G1	10	38	2,000	138	1667	3400	1"	18

DIRECT DRIVE, SOLID SHAFT, BRASS MANIFOLD

Electric Motor - Bell Housing



Model 3CP1120

PUMP MODEL	MAXIMUM FLOW		MAXIMUM PRESSURE		RPM	SHAFT	POWER	
	gpm	lpm	psi	bar			hp	kW
230	2.3	8.7	1,500	103	1725	16.5 mm	2.4	1.7
3CP1130	2.4	9.1	2,000	138	1725	16.5 mm	3.3	2.4
5CP3105CSS	2.5	9.5	3,500	241	1725	20 mm	6.0	4.4
5CP3110CSS	3.6	13.7	3,500	241	1725	20 mm	8.6	6.4
240	3.6	13.7	1,200	83	1725	16.5 mm	3.0	2.2
3CP1140	3.6	13.7	2,200	152	1725	16.5 mm	5.4	4.0
340	4	15.2	1,800	124	1725	20 mm	4.9	3.6
5CP2140WCS	4	15.2	2,500	172	1725	20 mm	6.8	5.1
270	4.2	16.0	1,000	69	1725	16.5 mm	2.9	2.1
3CP1120	4.2	16.0	2,200	152	1725	16.5 mm	6.3	4.7
5CP3160CSS	4.3	16.3	3,500	241	1725	20 mm	10.3	7.6
5CP4120CSS	4.5	17.1	4,000	276	1725	20 mm	12.3	9.1
60	4.7	17.9	4,000	276	1725	24 mm	12.9	9.5
700	4.7	17.9	5,000	345	1725	24 mm	16.1	11.9
5CP3120CSS	4.8	18.2	3,000	207	1725	20 mm	9.9	7.3
350	5	19.0	1,500	103	1725	20 mm	5.1	3.8
5CP2150W	5	19.0	2,000	138	1725	20 mm	6.8	5.1
5CP5120	6	22.8	2,500	172	1725	20 mm	10.3	7.6
5CP6120	7.4	28.1	1,200	83	1725	20 mm	6.1	4.5
56	8	30.4	2,500	172	1725	24 mm	13.7	10.1
5CP6190	9.7	36.9	1,200	83	1725	20 mm	8.0	5.9
7CP6110	10.5	39.9	2,000	138	1725	24 mm	14.4	10.6



Model 5CP3160CSS

DIRECT DRIVE, SOLID SHAFT, 316 STAINLESS STEEL MANIFOLD

Electric Motor - Bell Housing



Model 3CP1231

PUMP MODEL	MAXIMUM FLOW		MAXIMUM PRESSURE		RPM	SHAFT	POWER	
	gpm	lpm	psi	bar			hp	kW
231	2.3	8.7	1,500	103	1725	16.5 mm	2.4	1.7
3CP1231	2.3	8.7	2,000	138	1725	16.5 mm	3.2	2.3
241	3.6	13.7	1,200	83	1725	16.5 mm	3.0	2.2
3CP1241	3.6	13.7	2,000	138	1725	16.5 mm	4.9	3.6
341	4	15.2	1,800	124	1725	20 mm	4.9	3.6
5CP6241CS	4	15.2	2,000	138	1725	20 mm	5.5	4.1
3CP1221	4.2	16.0	2,000	138	1725	16.5 mm	5.8	4.3
351	5	19.0	1,500	103	1725	20 mm	5.1	3.8
5CP6251	5	19.0	2,000	138	1725	20 mm	6.8	5.1
7CP6111	10.5	39.9	2,000	138	1725	24 mm	14.4	10.6

DIRECT DRIVE, SOLID SHAFT, NICKEL ALUMINUM BRONZE MANIFOLD

Electric Motor - Bell Housing

PUMP MODEL	MAXIMUM FLOW		MAXIMUM PRESSURE		RPM	SHAFT	POWER	
	gpm	lpm	psi	bar			hp	kW
237	2.3	8.7	1,500	103	1725	16.5 mm	2.4	1.7
247	3.6	13.7	1,200	83	1725	16.5 mm	3.0	2.2
347	4	15.2	1,800	124	1725	20 mm	4.9	3.6
357	5	19.0	1,500	103	1725	20 mm	5.1	3.8



Model 277

Direct-Drive Mounting Components

BELL HOUSING ASSEMBLY

PUMP SERIES	MODELS	MOTOR FRAME	BELL HOUSING ASSY
3CP Series	3CP1120 - 40, 3CP1231 - 41	56C - 145TC	76056.3CP
		182/184TC	34423
		213/215TC	76215.3CP
3FR Series	230 - 270, 231 - 241, 237 - 247	56C - 145TC	34121
		182/184TC	34126
		213/215TC	76215.3FR
5CP Series	5CP3110CSS - 5CP6190, 5CP6221 - 5CP6251	56C - 145TC	76056.5CP
		182/184TC	76184.5CP
		213/215TC	76215.5CP
5FR Series	340 - 350, 341 - 351, 347 - 357	254/256TC	76256.5CP
		182/184TC	76184.5FR
		213/215TC	76215.5FR
7CP Series	7CP6110, 7CP6111	182/184TC	76184.7CP
		213/215TC	76215.7CP
		254/256TC	76256.7CP
7FR/8FR Series	56, 60, 700, 781, 781K	213/215TC	76215.7FR
		254/256TC	76256.7FR



5CP6190BH73



Bell Housing Series

FLEXIBLE COUPLER ASSEMBLY

PUMP SERIES	MOTOR FRAME	FLEX COUPLER ASSY	HP RATING
3CP & 3FR Series	56C	8215	3
	145TC	8210	3
	182/184TC	8220	3
	182/184TC	8225	10
	213/215TC	8270	20
5CP & 5FR Series	145TC	8260	10
	182/184TC	8230	10
	213/215TC	8275	20
	254/256TC	8217	20
7CP & 7FR Series	182/184TC	8370	10
	213/215TC	8375	10
	254/256TC	8380	20



Flex Coupler Series

Plunger Pumps

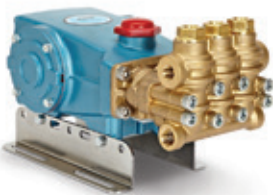
BELT DRIVE, SOLID SHAFT, BRASS AND 304 STAINLESS STEEL MANIFOLD



Model 1810



Model 310



Model 700



Model 5CP2120W

PUMP MODEL	MAXIMUM FLOW		MAXIMUM PRESSURE		RPM	SHAFT	POWER	
	gpm	lpm	psi	bar			hp	kW
230	2.3	8.7	1,500	103	1725	16.5 mm	2.4	1.7
3CP1130	2.4	9.1	2,000	138	1725	16.5 mm	3.3	2.4
5CP3105CSS	2.5	9.5	3,500	241	1725	20 mm	6.0	4.4
1810	3	11.4	10,000	690	1500	30 mm	20.5	15.2
270	3.5	13.3	1,500	103	1420	16.5 mm	3.6	2.7
240	3.6	13.7	1,200	83	1725	16.5 mm	3.0	2.2
3CP1140	3.6	13.7	2,200	152	1725	16.5 mm	5.4	4.0
5CP3110CSS	3.6	13.7	3,500	241	1725	20 mm	8.6	6.4
340	4	15.2	1,800	124	1725	20 mm	4.9	3.6
310	4	15.2	2,200	152	950	20 mm	6.0	4.5
5CP2120W	4	15.2	2,500	172	950	20 mm	6.8	5.1
5CP2140WCS	4	15.2	2,500	172	1725	20 mm	6.8	5.1
270	4.2	16.0	1,000	69	1725	16.5 mm	2.9	2.1
3CP1120	4.2	16.0	2,200	152	1725	16.5 mm	6.3	4.7
5CP3160CSS	4.3	16.3	3,500	241	1725	20 mm	10.3	7.6
45	4.5	17.1	3,500	241	1645	20 mm	10.8	8.0
5CP3120	4.5	17.1	3,500	241	1645	20 mm	10.8	8.0
57	4.5	17.1	4,000	276	1285	24 mm	12.3	9.1
5CP4120CSS	4.5	17.1	4,000	276	1725	20 mm	12.3	9.1
60	4.7	17.9	4,000	276	1725	24 mm	12.9	9.5
700	4.7	17.9	5,000	345	1725	24 mm	16.1	11.9
5CP3120CSS	4.8	18.2	3,000	207	1725	20 mm	9.9	7.3
310	5	19.0	1,500	103	1190	20 mm	5.1	3.8
350	5	19.0	1,500	103	1725	20 mm	5.1	3.8
5CP2150W	5	19.0	2,000	138	1725	20 mm	6.8	5.1
530	5	19.0	2,500	172	1100	24 mm	8.6	6.3
5CP5120	5	19.0	3,000	207	1415	20 mm	10.3	7.6
550	5	19.0	3,000	207	1415	24 mm	10.3	7.6
56	5.5	20.9	3,500	241	1210	24 mm	13.2	9.8

Selecting a Power Source

Positive displacement pumps can utilize a variety of different power sources, including electric motors, gas or diesel engines, hydraulic and pneumatic motors. Note: System power sources must be sized with adequate horsepower to handle the maximum system flow and pressure required.

Handy Formulas

$$\text{Required Electric Brake HP}^* = \frac{\text{gpm} \times \text{psi}}{1460}$$

$$\text{Hydraulic Torque (ft. lbs.) Required} = 3.6 \times \frac{\text{gpm} \times \text{psi}}{\text{rpm}}$$

*Standard 85% Overall Efficiency

BELT DRIVE, SOLID SHAFT, BRASS AND 304 STAINLESS STEEL MANIFOLD

PUMP MODEL	MAXIMUM FLOW		MAXIMUM PRESSURE		RPM	SHAFT	POWER	
	gpm	lpm	psi	bar			hp	kW
5CP6120	6	22.8	1,600	110	1450	20 mm	6.6	4.9
5CP5120	6	22.8	2,500	172	1725	20 mm	10.3	7.6
1570	6	22.8	6,000	414	1350	30 mm	24.7	18.2
650	7	26.6	3,000	207	1000	30 mm	14.4	10.6
5CP6120	7.4	28.1	1,200	83	1725	20 mm	6.1	4.5
56	8	30.4	2,500	172	1725	24 mm	13.7	10.1
1560	8	30.4	4,000	276	1140	30 mm	21.9	16.2
5CP6190	9.7	36.9	1,200	83	1725	20 mm	8.0	5.9
1050	10	38.0	2,200	152	958	30 mm	15.1	11.2
660	10	38.0	3,000	207	1429	30 mm	20.5	15.2
6810	10	38.0	10,000	690	600	45 mm	68.5	50.7
7CP6170	10.5	39.9	2,000	138	1450	24 mm	14.4	10.6
7CP6110	10.5	39.9	2,000	138	1725	24 mm	14.4	10.6
1050	12	45.6	1,800	124	1150	30 mm	14.8	10.9
1530	15.6	59.3	1,500	103	1450	30 mm	16.0	11.9
1540E	18	68.4	1,200	83	1100	30 mm	14.8	10.9
2510	20	76.0	2,000	138	1450	30 mm	27.4	20.3
3560	20	76.0	4,000	276	1160	35 mm	54.8	40.5
2530	21	79.8	1,200	83	860	30 mm	17.3	12.8
3520	23	87.4	2,000	138	800	35 mm	31.5	23.3
2530	25	95.0	1,000	69	1025	30 mm	17.1	12.7
3560	25	95.0	3,000	207	1450	35 mm	51.4	38.0
3535	36	136.8	1,200	83	800	35 mm	29.6	21.9
6835	40	152.0	3,000	207	625	45 mm	82.2	60.8
3545	45	171.0	1,000	69	765	35 mm	30.8	22.8
3545HS	50	190.0	1,500	103	850	35 mm	51.4	38.0
6760	60	228.0	1,200	83	520	45 mm	49.3	36.5
6775	75	285.0	1,200	83	650	45 mm	61.6	45.6



Model 1570



Model 660



Model 1540E



Model 3535

Selecting a Drive

A variety of different drive options are offered by Cat Pumps. Most systems are belt-driven by a pulley or clutch, but there are also some direct-drive options such as direct coupled, gearbox or hollow shaft direct drive.

Handy Formulas

$$\text{Desired rpm} = \text{Desired gpm} \times \frac{\text{Rated rpm}}{\text{Rated gpm}}$$

$$\text{Pump Pulley}^* \times \frac{\text{Pump rpm}}{\text{Motor/Engine rpm}} = \text{Motor Pulley}^*$$

*Pitch Diameter

Plunger Pumps

BELT DRIVE, SOLID SHAFT, 316 STAINLESS STEEL MANIFOLD



Model 311



Model 1051



Model 2531



Model 6811

PUMP MODEL	MAXIMUM FLOW		MAXIMUM PRESSURE		RPM	SHAFT	POWER	
	gpm	lpm	psi	bar			hp	kW
231	2.3	8.7	1,500	103	1725	16.5 mm	2.4	1.7
3CP1231	2.3	8.7	2,000	138	1725	16.5 mm	3.2	2.3
271	3.5	13.3	1,500	103	1420	16.5 mm	3.6	2.7
241	3.6	13.7	1,200	83	1725	16.5 mm	3.0	2.2
3CP1241	3.6	13.7	2,000	138	1725	16.5 mm	4.9	3.6
341	4	15.2	1,800	124	1725	20 mm	4.9	3.6
5CP6241CS	4	15.2	2,000	138	1725	20 mm	5.5	4.1
311	4	15.2	2,200	152	950	20 mm	6.0	4.5
3CP1221	4.2	16.0	2,000	138	1725	16.5 mm	5.8	4.3
781	4.5	17.1	5,000	345	1700	24 mm	15.4	11.4
351	5	19.0	1,500	103	1725	20 mm	5.1	3.8
5CP6251	5	19.0	2,000	138	1725	20 mm	6.8	5.1
5CP6221	6	22.8	2,000	138	1400	20 mm	8.2	6.1
1051	10	38	2,200	152	958	30 mm	15.1	11.2
1861	10	38	2,200	152	958	30 mm	15.1	11.2
3801	10	38	5,000	345	915	35 mm	34.2	25.3
7CP6171	10.5	39.9	2,000	138	1450	24 mm	14.4	10.6
7CP6111	10.5	39.9	2,000	138	1725	24 mm	14.4	10.6
1051	12	45.6	1,800	124	1150	30 mm	14.8	10.9
3811	14	53.2	3,000	207	800	35 mm	28.8	21.3
6811	15	57	5,000	345	600	45 mm	51.4	38.0
6801	15	57	7,000	483	600	45 mm	71.9	53.2
1531	15.6	59.28	1,500	103	1450	30 mm	16.0	11.9
1541	18	68.4	1,200	83	1100	30 mm	14.8	10.9
2511	20	76	1,500	103	1450	30 mm	20.5	15.2
2531	21	79.8	1,200	83	860	30 mm	17.3	12.8
2831	21	79.8	1,200	83	860	30 mm	17.3	12.8
3521	23	87.4	2,000	138	800	35 mm	31.5	23.3
3821	23	87.4	2,000	138	800	35 mm	31.5	23.3
2531	25	95	1,000	69	1025	30 mm	17.1	12.7
6821	25	95	3,000	207	615	45 mm	51.4	38.0
3531	36	136.8	1,200	83	800	35 mm	29.6	21.9
3831	36	136.8	1,200	83	800	35 mm	29.6	21.9
3531HS	40	152	2,000	138	888	35 mm	54.8	40.5
6831	40	152	2,300	159	625	45 mm	63.0	46.6
3541	45	171	1,000	69	765	35 mm	30.8	22.8
3841	45	171	1,000	69	765	35 mm	30.8	22.8
6841	48	182.4	2,000	138	615	45 mm	65.8	48.7
6761	60	228	1,200	83	520	45 mm	49.3	36.5
6861	60	228	1,200	83	520	45 mm	49.3	36.5
6771	75	285	1,200	83	650	45 mm	61.6	45.6

BELT DRIVE, SOLID SHAFT, DUPLEX STAINLESS STEEL MANIFOLD

PUMP MODEL	MAXIMUM FLOW		MAXIMUM PRESSURE		RPM	SHAFT	POWER	
	gpm	lpm	psi	bar			hp	kW
1051D	10	38	2,200	152	958	30 mm	15.1	11.2
661D	10	38	3,000	207	1429	30 mm	20.5	15.2
3501	10	38	5,000	345	915	35 mm	34.2	25.3
3511	14	53.2	3,000	207	800	35 mm	28.8	21.3
3822	23	87.4	2,000	138	800	35 mm	31.5	23.3
3832	36	136.8	1,200	83	800	35 mm	29.6	21.9
6762	60	228	1,200	83	520	45 mm	49.3	36.5
6862	60	228	1,200	83	520	45 mm	49.3	36.5
157R060	100	380	2,700	186	310	100 mm	184.9	136.8
152R060	115	437	1,200	83	360	100 mm	94.5	69.9
152R080	200	760	1,200	83	355	100 mm	164.4	121.6
157R080	200	760	1,560	108	355	100 mm	213.7	158.1
152R100	240	912	1,000	69	270	100 mm	164.4	121.6



Model 6762

BELT DRIVE, SOLID SHAFT, NICKEL ALUMINUM BRONZE MANIFOLD

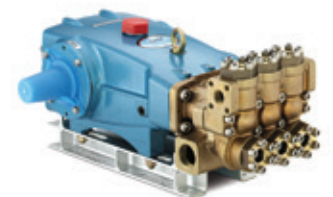
PUMP MODEL	MAXIMUM FLOW		MAXIMUM PRESSURE		RPM	SHAFT	POWER	
	gpm	lpm	psi	bar			hp	kW
237	2.3	8.7	1,500	103	1725	16.5 mm	2.4	1.7
277	3.5	13.3	1,500	103	1420	16.5 mm	3.6	2.7
247	3.6	13.7	1,200	83	1725	16.5 mm	3.0	2.2
347	4	15.2	1,800	124	1725	20 mm	4.9	3.6
317	4	15.2	2,200	152	950	20 mm	6.0	4.5
357	5	19.0	1,500	103	1725	20 mm	5.1	3.8
1057	10	38	2,200	152	958	30 mm	15.1	11.2
3507	10	38	5,000	345	915	35 mm	34.2	25.3
1057	12	45.6	1,800	124	1150	30 mm	14.8	10.9
3517	14	53.2	3,000	207	800	35 mm	28.8	21.3
3527HS	20	76	2,300	159	700	35 mm	31.5	23.3
2537	21	79.8	1,200	83	860	30 mm	17.3	12.8
3527	23	87.4	2,000	138	800	35 mm	31.5	23.3
3537	36	136.8	1,200	83	800	35 mm	29.6	21.9
3537HS	40	152	2,000	138	888	35 mm	54.8	40.5
6747	48	182.4	2,000	138	615	45 mm	65.8	48.7
6767	60	228	1,200	83	520	45 mm	49.3	36.5
6777	75	285	1,200	83	650	45 mm	61.6	45.6



Model 152R100



Model 277



Model 3517

Piston Pumps

PISTON PUMPS, SOLID SHAFT, BRASS MANIFOLD

Belt Drive



Model 280

PUMP MODEL	MAXIMUM FLOW		MAXIMUM PRESSURE		RPM	SHAFT	POWER	
	gpm	lpm	psi	bar			hp	kW
280	3	11.4	1,000	69	1330	16.5 mm	2.1	1.5
290	3.5	13.3	1,200	83	1200	16.5 mm	2.9	2.1
333	4	15.2	1,200	83	1070	16.5 mm	3.3	2.4
430	5	19	1,000	69	1040	16.5 mm	3.4	2.5
323	5	19	1,500	103	1000	20 mm	5.1	3.8
623	6	22.8	1,200	83	850	25 mm	4.9	3.6
820	10	38	1,000	69	940	25 mm	6.8	5.1
390	12	45.6	600	41	1200	20 mm	4.9	3.6
1010	13	49.4	700	48	900	25 mm	6.2	4.6
2520	25	95	800	55	772	30 mm	13.7	10.1
6040	40	152	1,500	103	500	45 mm	41.1	30.4
6020	60	228	1,000	69	500	45 mm	41.1	30.4



Model 820

PISTON PUMPS, SOLID SHAFT, 316 STAINLESS STEEL MANIFOLD

Belt Drive

PUMP MODEL	MAXIMUM FLOW		MAXIMUM PRESSURE		RPM	SHAFT	POWER	
	gpm	lpm	psi	bar			hp	kW
281	3	11.4	1,000	69	1330	16.5 mm	2.1	1.5
291	3.5	13.3	1,200	83	1200	16.5 mm	2.9	2.1
331	4	15.2	1,200	83	1070	16.5 mm	3.3	2.4
431	5	19	1,000	69	1040	16.5 mm	3.4	2.5
621	6	22.8	1,200	83	850	25 mm	4.9	3.6
821	10	38	1,000	69	940	25 mm	6.8	5.1
1011	13	49.4	700	48	900	25 mm	6.2	4.6
2521	25	95	800	55	772	30 mm	13.7	10.1
6041	40	152	1,500	103	500	45 mm	41.1	30.4
6021	60	228	1,000	69	500	45 mm	41.1	30.4



Model 2520



Model 6020

TECH TIP

Pump Rotation

Forward rotation (towards the manifold) is recommended for optimum lubrication of the crosshead area, increasing drive-end life. If the installation does not allow for forward rotation, reverse rotation is acceptable if the crankcase oil is above the red dot in the oil gauge. This assures adequate lubrication.



Forward Rotation



Reverse Rotation

Flush Manifold Pumps

FLUSHED MANIFOLD PUMPS, SOLID SHAFT, BRASS AND 304 STAINLESS STEEL MANIFOLD

Belt Drive

PUMP MODEL	MAXIMUM FLOW		MAXIMUM PRESSURE		RPM	SHAFT	POWER	
	gpm	lpm	psi	bar			hp	kW
1810K	3	11.4	10,000	690	1500	30 mm	20.5	15.2
1540EC	18	68.4	1,200	83	1100	30 mm	14.8	10.9
3520C	23	87.4	2,000	138	800	35 mm	31.5	23.3
3535C	36	136.8	1,200	83	800	35 mm	29.6	21.9



Model 3520C

FLUSHED MANIFOLD PUMPS, SOLID SHAFT, 316 STAINLESS STEEL MANIFOLD

Belt Drive

PUMP MODEL	MAXIMUM FLOW		MAXIMUM PRESSURE		RPM	SHAFT	POWER	
	gpm	lpm	psi	bar			hp	kW
311C	4	15.2	2,200	152	950	20 mm	6.0	4.5
781K	4.5	17.1	5,000	345	1700	24 mm	15.4	11.4
1051C	10	38	2,200	152	958	30 mm	15.1	11.2
1861K	10	38	3,000	207	1429	30 mm	20.5	15.2
3801K	10	38	5,000	345	915	35 mm	34.2	25.3
7CP6171C	10.5	39.9	2,000	138	1450	24 mm	14.4	10.6
7CP6111C	10.5	39.9	2,000	138	1750	24 mm	14.4	10.6
3811K	14	53.2	3,000	207	800	35 mm	28.8	21.3
6811K	15	57	5,000	345	600	45 mm	51.4	38.0
6801K	15	57	7,000	483	600	45 mm	71.9	53.2
2831K	21	79.8	1,200	83	860	30 mm	17.3	12.8
3521C	23	87.4	2,000	138	800	35 mm	31.5	23.3
3821K	23	87.4	2,000	138	800	35 mm	31.5	23.3
6821K	25	95	3,000	207	615	45 mm	51.4	38.0
3531C	36	136.8	1,200	83	800	35 mm	29.6	21.9
3831K	36	136.8	1,200	83	800	35 mm	29.6	21.9
6831K	40	152	2,300	159	625	45 mm	63.0	46.6
3541C	45	171	1,000	69	765	35 mm	30.8	22.8
3841K	45	171	1,000	69	765	35 mm	30.8	22.8
6841K	48	182.4	2,000	138	615	45 mm	65.8	48.7
6861K	60	228	1,200	83	52	45 mm	49.3	36.5



Model 781K



Model 1051C

FLUSHED MANIFOLD PUMPS, SOLID SHAFT, DUPLEX STAINLESS STEEL MANIFOLD

Belt Drive

PUMP MODEL	MAXIMUM FLOW		MAXIMUM PRESSURE		RPM	SHAFT	POWER	
	gpm	lpm	psi	bar			hp	kW
3501C	10	38	5,000	345	915	35 mm	34.2	25.3
661C	10	38	3,000	207	1429	30 mm	20.5	15.2
3511C	14	53.2	3,000	207	800	35 mm	28.8	21.3
152R060C	115	437	1,200	83	360	100 mm	94.5	69.9
152R080C	200	760	1,200	83	355	100 mm	164.4	121.6
152R100C	240	912	1,000	69	270	100 mm	164.4	121.6



Model 3841K

Triethylene Glycol (TEG) Pumps

TRIETHYLENE GLYCOL PUMPS, SOLID SHAFT, BRASS MANIFOLD Belt and Bell Housing Drive



Model 3CP1120.44101

PUMP MODEL	MAXIMUM FLOW		MAXIMUM PRESSURE		RPM	SHAFT	POWER	
	gpm	lpm	psi	bar			hp	kW
3CP1130.44101	2.4	9.1	2,200	152	1725	16.5 mm	3.6	2.7
5CP3105CS.44101	2.5	9.5	3,500	241	1725	20 mm	6.0	4.4
3CP1140.44101	3.6	13.7	2,200	152	1725	16.5 mm	5.4	4.0
5CP2120W.44101	4	15.2	2,500	172	950	20 mm	6.8	5.1
5CP21040WCS.44101	4	15.2	2,500	172	1725	20 mm	6.8	5.1
3CP1120.44101	4.2	16.0	2,200	152	1725	16.5 mm	6.3	4.7
5CP6120.44101	6	22.8	1,600	110	1400	20 mm	6.6	4.9
1050.44101	10	38.0	2,200	152	958	30 mm	15.1	11.2
1050.44101	12	45.6	1,800	124	1150	30 mm	14.8	10.9
1540E.44101	18	68.4	1,200	83	1100	30 mm	14.8	10.9
2530.44101	21	79.8	1,200	83	860	30 mm	17.3	12.8
2530.44101	25	95.0	1,000	69	1025	30 mm	17.1	12.7



Model 5CP2120W.44101

TRIETHYLENE GLYCOL PUMPS, SOLID SHAFT, 316 STAINLESS STEEL MANIFOLD Belt and Bell Housing Drive

PUMP MODEL	MAXIMUM FLOW		MAXIMUM PRESSURE		RPM	SHAFT	POWER	
	gpm	lpm	psi	bar			hp	kW
3CP1231.44101	2.3	8.7	2,000	138	1725	16.5 mm	3.2	2.3
3CP1241.44101	3.6	13.7	2,000	138	1725	16.5 mm	4.9	3.6
5CP6241CS.44101	4	15.2	2,000	138	1725	20 mm	5.5	4.1
3CP1221.44101	4.2	16.0	2,000	138	1725	16.5 mm	5.8	4.3
5CP6251.44101	5	19.0	2,000	138	1725	20 mm	6.8	5.1
5CP6221.44101	6	22.8	2,000	138	1400	20 mm	8.2	6.1
1051.44101	10	38.0	2,200	152	958	30 mm	15.1	11.2
1051.44101	12	45.6	1,800	124	1150	30 mm	14.8	10.9
1541.44101	18	68.4	1,200	83	1100	30 mm	14.8	10.9
2531.44101	21	79.8	1,200	83	860	30 mm	17.3	12.8
2531.44101	25	95.0	1,000	69	1025	30 mm	17.1	12.7



Model 1050.44101



Model 2530.44101

TEG Pump Reliability and Performance you expect from Cat Pumps

- Performance Range
0.14 to 25 gpm 100 to 3500 psi
- Consistent Flow Rate
- Leak-Free Design
- Lowest Cost of Ownership
 - Longest Lasting Seals – Less Maintenance
 - Less Downtime – High Overall Efficiency

Liquid CO₂ Pumps

LIQUID CO₂ PUMPS, SOLID SHAFT, BRASS MANIFOLD

Belt Drive

PUMP MODEL	MAXIMUM FLOW		MAXIMUM PRESSURE		RPM	SHAFT	POWER	
	gpm	lpm	psi	bar			hp	kW
30.CO2	0.68	2.6	2200	152	450	20 mm	1	0.8
310.CO2	1.75	6.7	2200	152	450	20 mm	3	2.0
1560M.CO2	2.5	9.5	4000	276	450	30 mm	7	5.1
1050M.CO2	4	15.2	2200	152	450	30 mm	6	4.5
1530RSCM.CO2	5	19.0	1800	124	450	30 mm	6	4.6
1540ECM.CO2	7	26.6	1200	83	450	30 mm	6	4.3
3520CM.CO2	11.4	43.3	2000	138	450	35 mm	16	11.7
3535CM.CO2	19.4	73.7	1200	83	450	35 mm	16	12.0

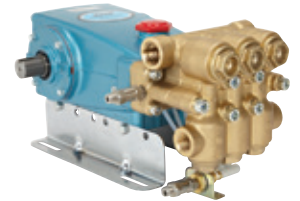


Model 30RS.CO2

LIQUID CO₂ PUMPS, SOLID SHAFT, 316 STAINLESS STEEL MANIFOLD

Belt Drive

PUMP MODEL	MAXIMUM FLOW		MAXIMUM PRESSURE		RPM	SHAFT	POWER	
	gpm	lpm	psi	bar			hp	kW
784KM.CO2	0.34	1.3	5000	345	450	24 mm	1.2	0.9
301.CO2	0.68	2.6	2150	148	450	20 mm	1.0	0.8
781KM.CO2	0.82	3.1	5000	345	450	24 mm	2.8	2.1
351.CO2	1.22	4.6	1500	103	450	20 mm	1.3	0.9
1861KM.CO2	2.5	9.5	3000	207	450	30 mm	5.1	3.9
3801KM.CO2	3.5	13.3	5000	345	450	35 mm	12.0	9.0
1051CM.CO2	4	15.2	2200	152	450	30 mm	6.0	4.5
2831KM.CO2	10	38.0	1200	83	450	30 mm	8.2	6.2
6811KM.CO2	7.2	27.4	5000	345	450	45 mm	24.7	18.5
3831KM.CO2	19.4	73.7	1200	83	450	35 mm	15.9	12.0
6841KM.CO2	30	114.0	2000	138	450	45 mm	41.1	30.8



Model 1530RSCM.CO2



Model 781KM.CO2



Model 1051CM.CO2

For over 20 years, Cat Pumps has been working closely with research facilities, universities, equipment manufacturers and site locations to provide dependable and reliable pumping solutions for the challenging CO₂ market.

Portable Extractor Pumps



Model 1XP150.031



Model 1XP150.03DC

PORTABLE EXTRACTOR PUMPS, DIRECT DRIVE, ALUMINUM MANIFOLD

Electric Motor (Induction) Included

PUMP MODEL	MAXIMUM FLOW		MAXIMUM PRESSURE		RPM	POWER	
	gpm	lpm	psi	bar		hp	kW
1XP050.031	0.5	1.9	800	54.4	1725	1/3	0.24
1XP075.031	0.75	2.9	600	40.8	1725	1/3	0.24
1XP085.031	0.85	3.2	600	40.8	1725	1/3	0.24
1XP100.031	1	3.8	500	34.0	1725	1/3	0.24
1XP125.031	1.25	4.8	400	27.2	1725	1/3	0.24
1XP150.031	1.5	5.7	325	22.1	1725	1/3	0.24
1XP200.031	2	7.6	250	17.0	1725	1/3	0.24
1XP050.051	0.4	1.5	1000	68.0	1725	1/2	0.37
1XP075.051	0.7	2.7	1000	68.0	1725	1/2	0.37
1XP085.051	0.8	3.0	1000	68.0	1725	1/2	0.37
1XP100.051	0.9	3.4	800	54.4	1725	1/2	0.37
1XP125.051	1.2	4.6	800	54.4	1725	1/2	0.37
1XP150.051	1.5	5.7	600	40.8	1725	1/2	0.37
1XP200.051	2	7.6	450	30.6	1725	1/2	0.37
1XP150.071	1.4	5.3	800	54.4	1725	3/4	0.55
1XP200.071	2	7.6	550	37.4	1725	3/4	0.55

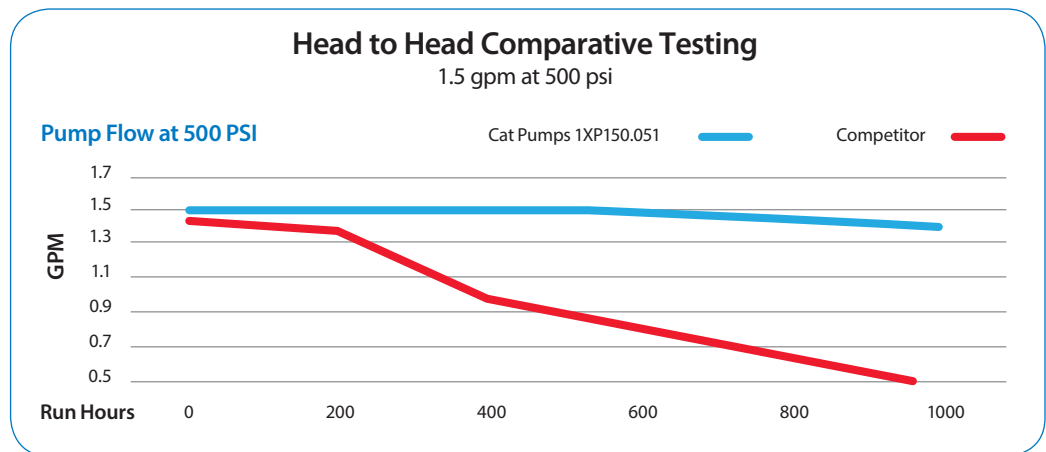
PORTABLE EXTRACTOR PUMPS, DIRECT DRIVE, ALUMINUM MANIFOLD

Electric Motor (Permanent Magnet) Included

PUMP MODEL	MAXIMUM FLOW		MAXIMUM PRESSURE		RPM	POWER	
	gpm	lpm	psi	bar		hp	kW
1XP050.03DC	0.5	1.9	600	40.8	1725	1/3	0.24
1XP075.03DC	0.75	2.9	500	34.0	1725	1/3	0.24
1XP085.03DC	0.85	3.2	400	27.2	1725	1/3	0.24
1XP100.03DC	1	3.8	350	23.8	1725	1/3	0.24
1XP125.03DC	1.25	4.8	300	20.4	1725	1/3	0.24
1XP150.03DC	1.5	5.7	250	17.0	1725	1/3	0.24
1XP200.03DC	2.3	8.7	150	10.2	1725	1/3	0.24

Cat Pumps 1XP Series Pumps

For over 45 years, Cat Pumps has been providing the longest-lasting pumps available. The durability of the 1XP Series pumps make it a great fit for the portable extractors that users depend on. Head-to-head testing against competitors shows once again: when it comes to long life and durability, nothing beats Cat Pumps.



Centrifugal Pumps

304 STAINLESS STEEL CASING

Centrifugal pumps offer solutions for high-flow, low-pressure industrial pumping needs. Typical fluids pumped include fresh water, semi-dirty water or liquids with some suspended solids. Below is a sampling of popular centrifugal models that include the pump, seal and motor. Most of the pumps listed are rated at 3450 rpm, but many models are available at 1725 rpm.



SUBMERSIBLE PUMPS WITH INTEGRAL MOTOR AND SEAL*

45 to 100 gpm (170 to 379 lpm)

PUMP MODEL	MAXIMUM FLOW		MAXIMUM PRESSURE		HORSEPOWER		PHASE/VOLTAGE
	gpm	lpm	psi	bar	hp	kW	
1K100	45	170	10	0.69	0.3	0.2	1PH / 115V**
1K201	73	276	17	1.17	0.5	0.4	1PH / 115V**
1K203	73	276	17	1.17	0.5	0.4	1PH / 115V***
1K205	73	276	17	1.17	0.5	0.4	3PH / 460V***
1K301	74	280	21	1.45	0.8	0.6	1PH / 115V**
1K303	74	280	21	1.45	0.8	0.6	1PH / 115V***
1K305	74	280	21	1.45	0.8	0.6	3PH / 460V***
2K102	88	333	9	0.62	0.5	0.4	1PH / 230V***
2K103	88	333	9	0.62	0.5	0.4	1PH / 230V**
2K200	100	379	11	0.76	1.0	0.7	1PH / 115V**
2K202	100	379	11	0.76	1.0	0.7	1PH / 230V**

*Motor side seal is NBR fitted Carbon/Ceramic and impeller side seal is Viton® fitted Silicon Carbide/Silicone Carbide.

**Supplied with automatic float switch

***Manual models, no float switch

END-SUCTION MOTORIZED UNITS WITH TEFC 56J NEMA MOTOR

38 to 63 gpm (144 to 238 lpm)

3K132WT0	38	144	62	4.3	2.0	1.5	1PH / 115/208-230V
3K132WT3	38	144	62	4.3	2.0	1.5	3PH / 208-230/460V
3K392BT3	52	197	13	0.9	0.5	0.4	3PH / 208-230/460V
3K142WT0	63	238	32	2.2	1.0	0.7	1PH / 115/208-230V
3K142WT3	63	238	32	2.2	1.0	0.7	3PH / 208-230/460V
3K152WT0	63	238	44	3.0	1.5	1.1	1PH / 115/208-230V
3K152WT3	63	238	44	3.0	1.5	1.1	3PH / 208-230/460V
3K162WT3	63	238	63	4.3	3.0	2.2	3PH / 208-230/460V

Note: All motors are rated at 3450 rpm except model 3K392BT3 which is rated at 1725. All models listed are equipped with a Viton®/Carbon/Ceramic chemical resistant seal. Buna-N and high temperature seals are also available.

END-SUCTION MOTORIZED UNITS WITH TEFC 213/215JM NEMA MOTOR

153 to 380 gpm (579 to 1,438 lpm)

4K142WT3	153	579	90	6.2	0.5	0.4	3PH / 208-230/460V
4K192WT3	250	946	82	5.7	1.0	0.7	3PH / 208-230/460V
4K252WT3	380	1,438	84	5.8	1.0	0.7	3PH / 208-230/460V

Note: All motors are rated at 3450 rpm. All models listed are equipped with a Viton®/Carbon/Ceramic chemical resistant seal. Buna-N and high temperature seals are also available.

SELF-PRIMING MOTORIZED UNITS WITH TEFC 56J NEMA MOTOR

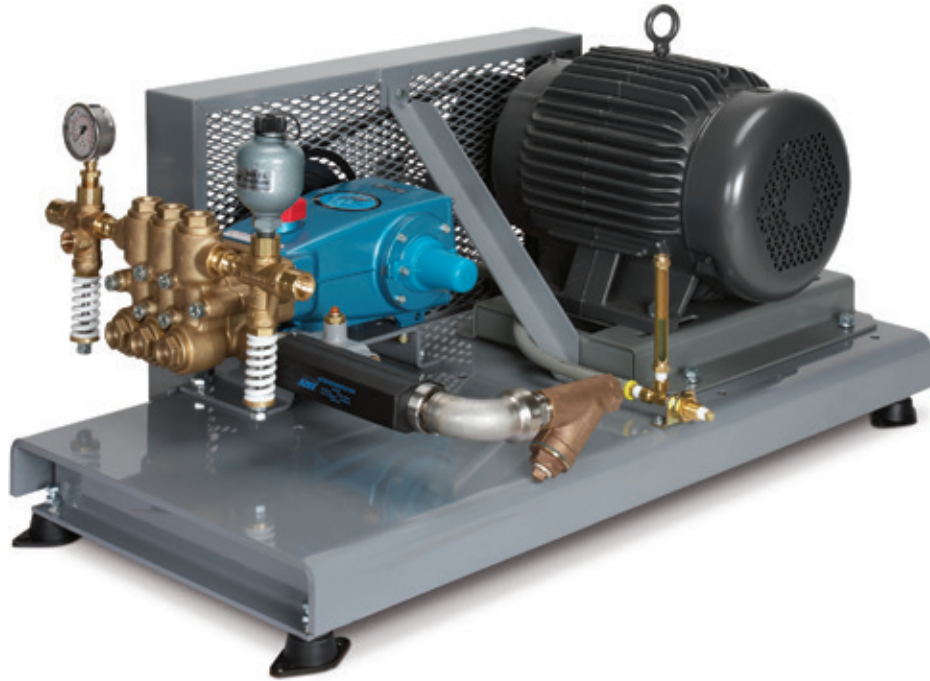
18.5 gpm (70 lpm)

5K112WT0	18.5	70	56	3.9	1.0	0.7	1PH / 115/208-230V
5K112WT3	18.5	70	56	3.9	1.0	0.7	3PH / 208-230/460V
5K122WT0	18.5	70	82	5.7	1.0	0.7	1PH / 115/208-230V
5K122WT3	18.5	70	82	5.7	2.0	1.5	3PH / 208-230/460V

Note: All motors are rated at 3450 rpm. All models listed are equipped with a Viton®/Carbon/Ceramic chemical resistant seal. Buna-N and high temperature seals are also available.

Custom Pumping Systems

YOU DEFINE. WE DESIGN AND DELIVER.



Custom Engineered to Meet Your Application Demands



For over 25 years, Cat Pumps has been the industry leader in providing customers with quality custom-engineered pumping systems to meet a wider range of application needs. By selecting Cat Pumps for your next pumping system, customers eliminate the hassle and expense of designing, multiple source buying, fabrication and testing. The knowledgeable and helpful technical sales team assists with proper component selection, as well as installation, operation and maintenance support.

All systems are designed, built and pressure tested in the Cat Pumps Minneapolis location. To begin the quoting process, call the main office at (763) 780-5440 or submit the custom system quote form at catpumps.com.

With thousands of installations running around the world, Cat Pumps is the supplier of choice for custom pumping systems.

Call or go online to start your quote today.



System Configuration

With extensive experience building thousands of systems, Cat Pumps can help determine the best configuration for any application.

Base

System design starts with choosing the base that best fits the application. Numerous base configurations are available to meet space, portability, sound and material demands.

- Standard • Vertically Stacked • Portable • Enclosed • Multiple Pump

Power Source

A qualified technical staff with extensive experience can assist in recommending the correct product for any power source available.

- Electric • Gas • Diesel • Hydraulic • Pneumatic

Drive Package

A wide variety of drive packages are available to complement any power source of choice.

- Belt • Direct Drive • Gearbox • Flex Coupling/Bell Housing • Clutch

Accessories

Choose from hundreds of high-quality genuine Cat Pumps accessories for optimum system performance and life.

- Regulator • Unloader • Relief / Pop-off Valve • Pressure Gauge
- Pulsation Dampener • Captive Acceleration Tube (C.A.T.)
- Inlet Filter / Strainer • Guns • Oil



Cat Pumps Advanced Control Options



Ask about the wide variety of advanced control options designed to provide maximum system performance as well as maximum system protection. Options include:

- Variable Frequency Drives (VFD)
- PID Loop (varies speed of pump to maintain system pressure)
- Multiple Pump Systems
- Low-Pressure Seal Monitors
- Auto Shutdowns (Temperature and Low Inlet Pressure)

Other control options are available upon request.

Accessories

MAXIMUM PUMP PERFORMANCE



Demand Genuine Cat Pumps Accessories

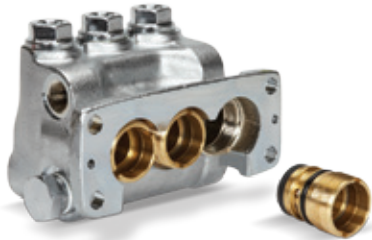
Cat Pumps offers a wide range of accessories that meet the same exacting standards as its pumps. A pumping system's performance is as good as its weakest component, which is why accessory components are rigorously tested and evaluated. The goal is to provide the best system value by offering pumps and accessories that exceed performance and reliability expectations. Cat Pumps products offers the lowest possible life cycle cost.



Check out our complete line of accessories online at catpumps.com

Investing In Our Products

Cat Pumps built its reputation on the dependability and reliability of its products. A comprehensive distributor network locally stocks pumps, repair kits and accessories, and is available to assist with pump selection and system design requirements.



Manifold Design

- Precision-machined high-strength forged manifolds provide a superior sealing surface for consistently longer seal life when compared to competitive designs.
- Proprietary seal materials and designs offer unmatched performance, often providing two to three times longer seal life than competitors' pumps.
- A variety of optional seals/elastomers are available to handle special applications.
- Manifolds are available in different materials, meeting the requirements needed for various liquids.
- Stainless steel valves, seats and springs provide corrosive-resistant performance and extended service life.



Drive Design

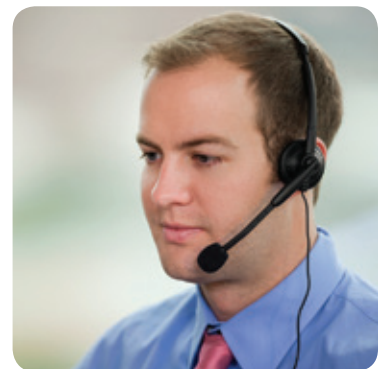
- Drive components are designed to meet continuous-duty industrial applications, consistently outperforming competitor's designs.
- Proprietary ceramic plungers provide maximum resistance to corrosion and abrasion, maximizing seal life and outperforming the competition.
- Heavy-duty ball and roller bearings provide long service life.
- Hardened crankshafts and connecting rods are sized to minimize surface speed at the journal, contributing to lower temperature operation and longer drive life.

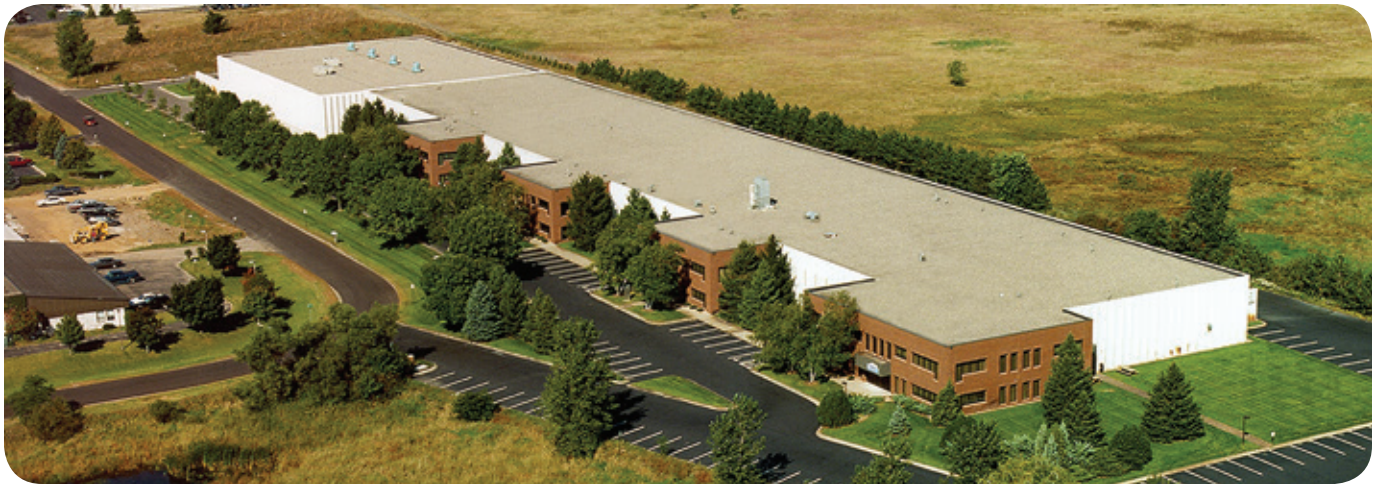
Industry Leading Customer Service

Cat Pumps employs a knowledgeable and experienced customer service team that provides assistance with order information, as well as technical assistance in product selection, installation, maintenance support, pump repair and general system troubleshooting.

Live support is available M – F, 8:00 a.m. to 5:00 p.m. CST at (763) 780-5440.

Email: techsupport@catpumps.com





Cat Pumps occupies over 145,000 sq. ft. at its world headquarters in Minneapolis, MN.

Cat Pumps Locations

Cat Pumps – World Headquarters

1681 94th Lane Northeast
Minneapolis, MN 55449
USA

P: (763) 780-5440
F: (763) 780-2958
techsupport@catpumps.com
www.catpumps.com

Territories Served

U.S., Canada

International Division

P: (763) 780-5440
F: (763) 785-4329
intlsales@catpumps.com
www.catpumps.com

Territories Served

Africa, Asia, Australia, Central and
South America, Mexico, Middle East,
New Zealand, Turkey

Cat Pumps International N.V.

Heiveldekens 6A
2550 Kontich
Belgium

P: 32 3 450 71 50
F: 32 3 450 71 51
cpi@catpumps.be
www.catpumps.be

Territories Served

Western Europe (except U.K.,
Germany, and Austria)

Cat Pump (U.K.) Ltd.

1 Fleet Business Park, Sandy Lane
Church Crookham
FLEET, Hampshire GU52 8BF
England

P: +44 1252 622031
F: +44 1252 626655
sales@catpumps.co.uk
technical@catpumps.co.uk
www.catpumps.co.uk

Territories Served

England, Ireland, Scotland,
N. Ireland, Wales

Cat Pumps Deutschland GmbH

Buchwiesse 2, D-65510
Idstein
Germany

P: +49 6126 9303 0
F: +49 6126 9303 33
catpumps@t-online.de
www.catpumps.de

Territories Served

Austria, Commonwealth of Independent States
(CIS), Germany and Eastern Europe

SALES, DISTRIBUTION, SERVICE Call today for product and application assistance. (763) 780-5440 or visit us at www.catpumps.com



CAT PUMPS

1681 - 94TH LANE N.E. MINNEAPOLIS, MN 55449-4324
PHONE (763) 780-5440 — FAX (763) 780-2958
e-mail: techsupport@catpumps.com
www.catpumps.com

For International inquiries go to www.catpumps.com and navigate to the "Contact Us" link.

©2014 Cat Pumps Inc. All rights reserved. All written and visual data contained in this document are based on the latest product information available at the time of publication. Cat Pumps reserves the right to make changes at any time without notice. All other brand names or marks are used for identification purposes and are trademarks of their respective owners.