

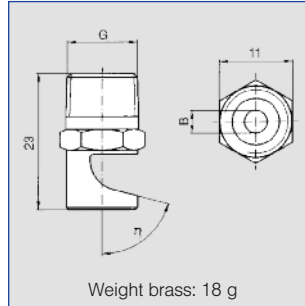


# Tongue-type nozzles for air or saturated steam

## Series 686

### Wide-angle, powerful air jet.

Applications:  
Blowing off liquids, cooling,  
reheating, drying.



 Spray angle	Ordering no.			B [mm]	η	V̇ <sub>n</sub> Air [m <sup>3</sup> /h]				Ṁ Saturated steam[kg/h]				
	Type	Mat. no.				Code	p [bar]				p [bar]			
		16	30				1,0	2,0	5,0	10,0	1,0	2,0	5,0	10,0
		1,4305/ 303 SS	Brass	1/8 BSPT										
Ca. 70°	686.408	○	○	CA	1,0	75°	0,70	1,00	2,10	3,70	0,90	1,30	2,40	4,00
	686.488	○	○	CA	1,3	75°	1,20	1,70	3,60	6,20	1,40	2,10	3,90	6,50
	686.528	○	○	CA	1,5	75°	1,60	2,30	4,80	8,40	1,90	2,80	5,20	8,70
	686.568	○	○	CA	1,7	75°	2,00	3,00	6,30	11,00	2,50	3,70	6,90	11,50
	686.608	○	○	CA	1,9	75°	2,50	3,70	7,80	13,50	3,10	4,60	8,60	14,30
	686.688	○	○	CA	2,4	75°	4,00	5,90	12,40	21,50	4,90	7,30	13,60	22,70
	686.728	○	○	CA	2,7	75°	7,10	10,00	21,20	38,20	5,70	9,20	16,40	29,20
686.808	○	○	CA	3,4	75°	11,20	16,00	33,70	60,60	9,00	14,60	26,00	46,30	

B = bore diameter

The folded page at the end of the catalogue will give you a survey on the various assembly possibilities. For complete assembly accessories, please refer to „Accessories“.

Example for ordering: Type + Material no. + Code = Ordering no.  
686.408 + 16 + CA = 686.408.16.CA