

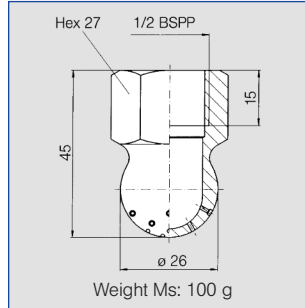
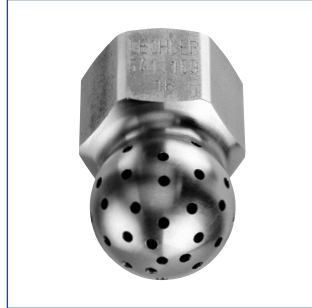



Cluster solid stream nozzles for air or saturated steam

Series 540 / 541

Powerful air jet with 40 individual bore holes.

Applications:
Injection of steam into liquids,
injection of compressed air
into bulk goods, gas injection
(acid and neutralization
baths).



 Spray angle	Ordering no.		B Ø [mm]	\dot{V}_n Air [m ³ /h]				\dot{M} Saturated steam [kg/h]			
	Type	Mat- no.		p [bar]				p [bar]			
				1.0	2.0	3.0	5.0	1.0	2.0	3.0	5.0
ca. 240°	540. 909	○	0.8	22.80	34.20	45.50	68.30	18.10	26.90	35.50	52.70
	540. 989	○	1.0	35.50	53.30	71.00	106.50	28.20	41.70	55.10	81.70
	541. 109	○	1.5	83.30	124.90	166.50	249.80	66.00	97.70	129.20	191.60
	541. 189	○	2.0	129.70	194.50	259.30	389.00	103.00	152.60	201.70	299.10
	541. 239	○	2.3	167.20	250.80	334.30	501.50	133.20	197.30	260.80	386.60

B = bore diameter

Example	Type	+	Material no.	=	Ordering no.
for ordering:	540. 909	+	16	=	540. 909. 16