



# Solid stream nozzles for air or saturated steam

## Series 544

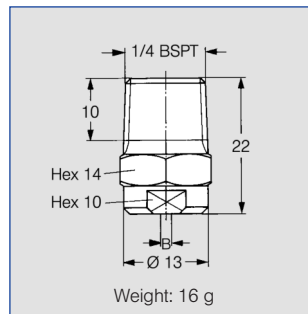
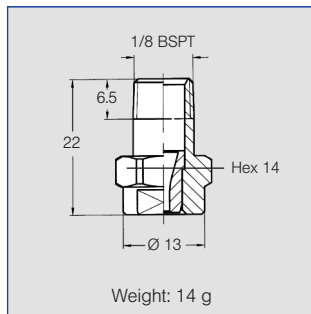
**Powerful air jet. producing punctiform impact patterns.**  
Applications:  
Targeted blowing out and blowing off.



Series 544.360 to 544.400



Series 544.480 to 544.800



Ordering no.				B Ø [mm]	$\dot{V}_n$ Air [m <sup>3</sup> /h]				$\dot{M}$ Saturated steam [kg/h]			
Type	Mat.-no. <b>16</b>	Code			p [bar]				p [bar]			
		303 SS	1/8 BSPT		1/4 BSPT	1	2	3	5	1	2	3
<b>544.360</b>	●	<b>CA</b>	<b>CC</b>	0.84	0.80	1.00	1.30	2.00	0.80	1.20	1.50	2.20
<b>544.400</b>	●	<b>CA</b>	<b>CC</b>	1.03	1.00	2.00	2.40	3.00	1.30	1.90	2.50	3.70
<b>544.480</b>	●	<b>CA</b>	<b>CC</b>	1.33	1.50	2.50	3.00	4.60	1.90	2.80	3.70	5.50
<b>544.560</b>	●	<b>CA</b>	<b>CC</b>	1.69	2.50	4.00	5.00	7.50	2.80	4.10	5.40	8.20
<b>544.640</b>	●	<b>CA</b>	<b>CC</b>	2.09	4.00	6.00	8.00	12.00	5.00	7.20	9.50	14.00
<b>544.720</b>	●	<b>CA</b>	<b>CC</b>	2.66	7.00	10.00	14.00	21.00	7.40	10.00	13.00	20.00
<b>544.800</b>	●	<b>CA</b>	<b>CC</b>	3.30	11.00	16.00	21.00	32.00	11.00	16.50	22.00	33.00

B = bore diameter

**Example for ordering:** Type **544.360** + Material no. **16** + Code **CC** = Ordering no. **544.360.16.CC**



Ball joints see page 9.7