

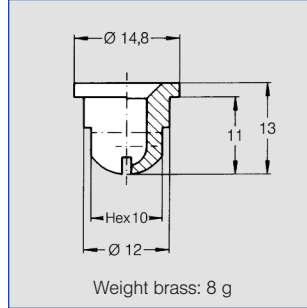


# Flat fan nozzles for air or saturated steam

## Series 679

**Particularly wide-angle, powerful air jet. Assembling with retaining nut. Easy nozzle changing. Simple jet alignment.**

Applications:  
Blowing off liquids, cooling, reheating, drying.



Spray angle	Ordering no.		A Ø [mm]	$\dot{V}_n$ L = Air [m <sup>3</sup> /h] $\dot{M}$ S = Saturated Steam [kg/h]											
	Type	Mat.-no.		p [bar]											
			17	30	0.5		2.0		5.0		10.0				
ca. 70°	679. 037	-	1.2	L	S	L	S	L	S	L	S				
	679. 085	○	1.3												
	679. 117	○	1.5												
	679. 165	○	1.8												
	679. 255	○	2.1												
	679. 365	○	2.8												
	679. 415	○	3.6												
	679. 495	○	4.3												

A = Equivalent bore diameter

The folded page at the end of the catalogue will give you a survey on the various assembly possibilities. For complete assembly accessories, please refer to »Accessories«.

<b>Example for ordering:</b>	Type	+	Material no.	=	Ordering no.
	679. 037	+	30	=	679. 037. 30

