



Multi-channel flat jet nozzles for air Whisperblast®, plastic versions Series 600.332.56

**Extremely
silent!**

NEW

Series 600.332.56

The multi-channel flat jet nozzles of the 600.332 series generate a continuous powerful air jet. The noise level and air consumption remain low even at higher air pressures. The projecting tips at the nozzle outlet prevent air penetration into human skin. These nozzles comply with the OSHA standards.



Cost savings

26 %



Noise reduction

21 %



Material
POM



Blowing force
2 N at 2 bar



Noise level
70 db(A) at 2 bar



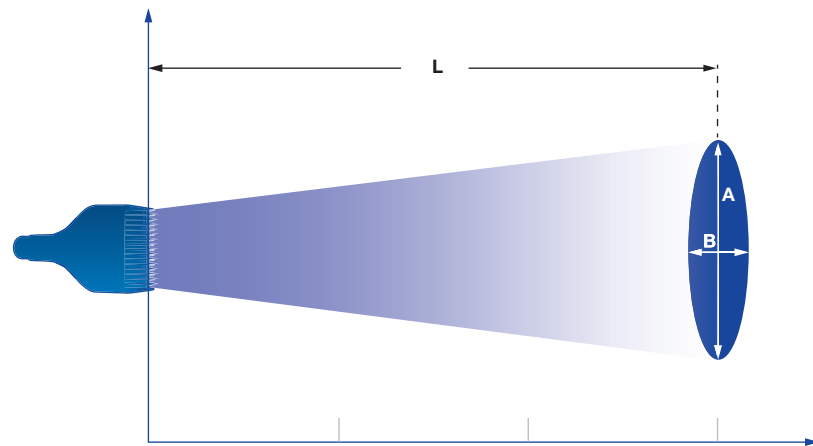
Air consumption
 $V_{LN}=18 \text{ m}^3/\text{h}$ at 2 bar



Pressure
 $P_{\text{max}}=6 \text{ bar}$



Max. temperature
50 °C

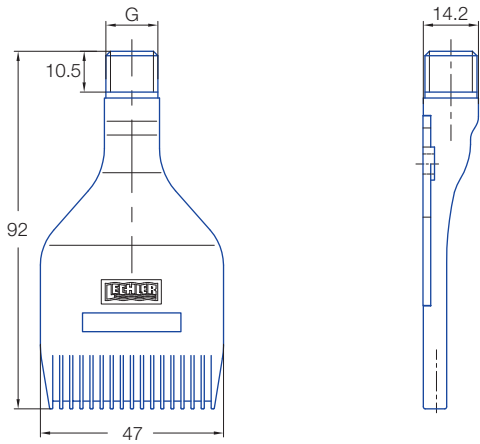


Jet pattern of 600.332 nozzle series

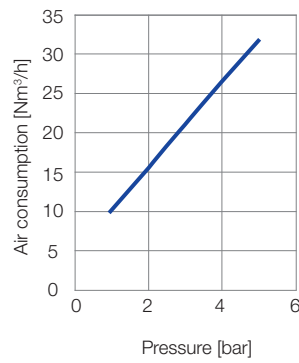
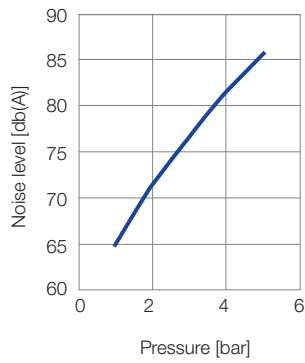
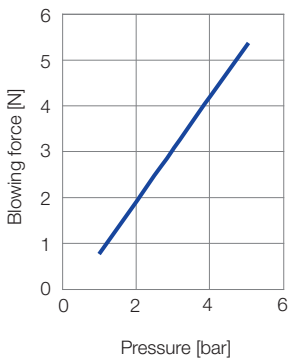
Pressure:	1 bar	3 bar	5 bar
Distance L [mm]:	625	900	900

Jet dimensions at L

A [mm]:	125	200	230
B [mm]:	125	200	230



Technical data



Ordering no.			
Type	Mat. no.	Code	
		56	
	POM	1/4 BSPP	1/4 NPT
600.332	○	AC	BC

Example of ordering: **Type** + **Mat. no.** + **Code** = **Ordering no.**
600.332. + **56** + **AC** = **600.332.56.AC**