



# Mini multi-channel round jet nozzles for air Series 600.388.30

## Series 600.388.30

The mini multi-channel round jet nozzles of the 600.388 series generate a point of concentrated air even at large distances. The compact design of this series makes the nozzles particularly suitable for use in locations that are difficult to reach. The special design at the nozzle outlet prevents air penetration into human skin. These nozzles comply with the OSHA standards.



**Cost savings**

7%



**Noise reduction**

8%



**Materials**  
Brass, POM



**Blowing force**  
1.1 N at 2 bar



**Noise level**  
77 db(A) at 2 bar



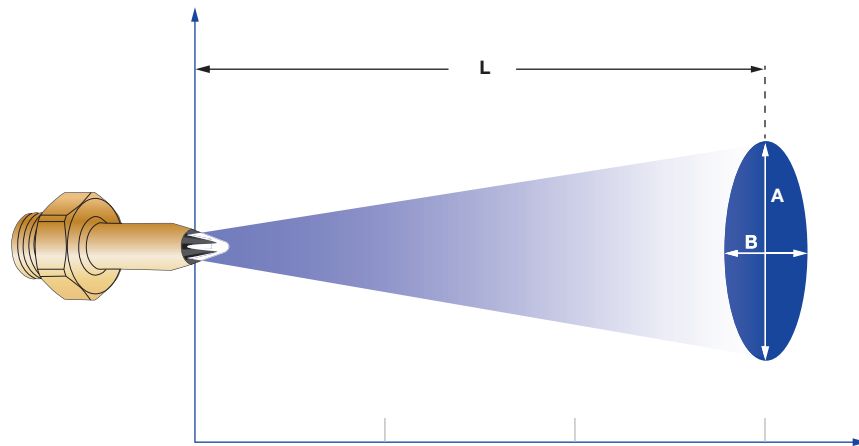
**Air consumption**  
 $V_{LN}=8 \text{ m}^3/\text{h}$  at 2 bar



**Pressure**  
 $P_{\text{max}}=10 \text{ bar}$



**Max. temperature**  
50 °C

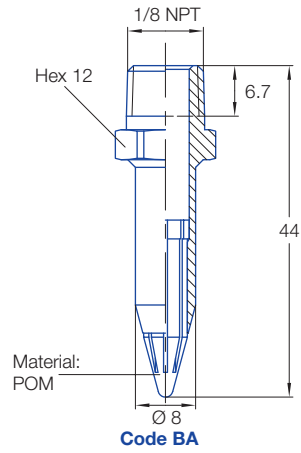
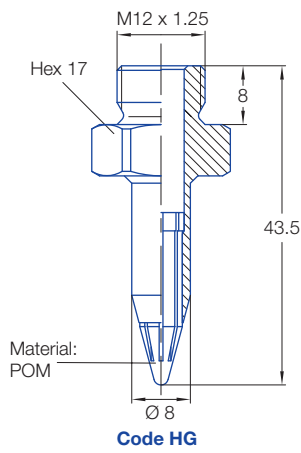
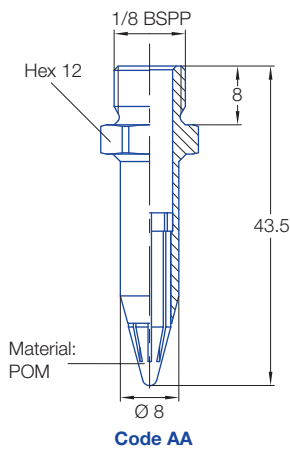


Jet pattern of 600.388 nozzle series

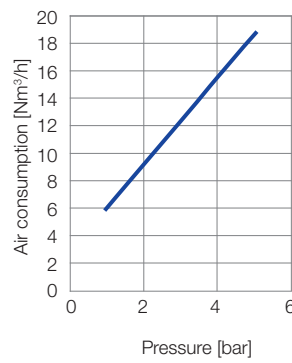
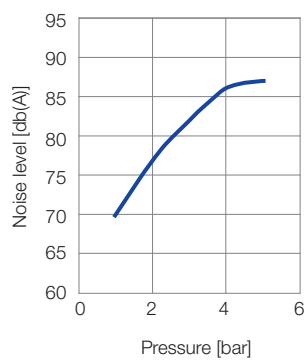
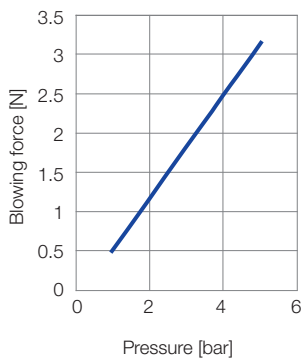
Pressure:	1 bar	3 bar	5 bar
Distance L [mm]:	500	750	900

Jet image dimensions at L

A [mm]:	130	185	260
B [mm]:	130	185	260



### Technical data



Ordering no.		Connection thread
Type	Code	
<b>600.388.30</b> (Material: Brass/POM)	<b>AA</b>	1/8 BSPP
	<b>HG</b>	M 12 x 1.25
	<b>BA</b>	1/8 NPT

<b>Example</b>	<b>Type</b>	<b>+</b>	<b>Code</b>	<b>=</b>	<b>Ordering no.</b>
<b>of ordering:</b>	<b>600.388.30</b>	<b>+</b>	<b>AA</b>	<b>=</b>	<b>600.388.30.AA</b>

Also as a high-temperature version of stainless steel AISI 316L available on request.