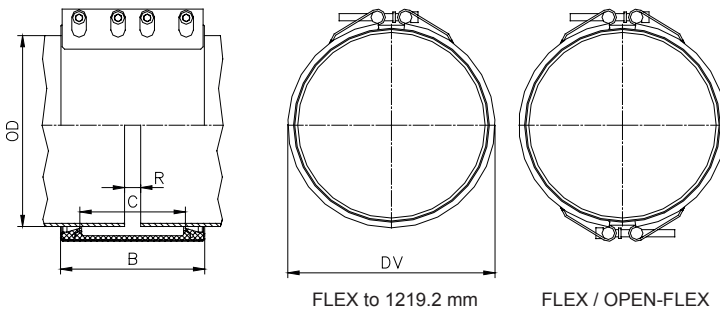


STRAUB-FLEX / STRAUB-OPEN-FLEX 3.5 Ø 323.9 - 4064.0 mm

| Components / Materials | W1 | W2 | W4 | W5 |
|----------------------------|---|----|----|-----------------|
| Casing | AISI A106, hot-dip galv. | | | S32101 (LDX) |
| Bolts | AISI 4135 | | | A4 - 80 |
| Bars | AISI 12 L 14, galvanised | | | AISI 316 L |
| Strip insert | AISI 301 / HDPE | | | AISI 301 / HDPE |
| Sealing sleeve EPDM | Temp.: -20°C up to +100°C Medium: all qualities of water, waste water, air, solids and chemical products | | | |
| Sealing sleeve NBR | Temp.: -20°C up to +80°C Medium: water, gas, oil, fuel and other hydrocarbons | | | |



- B Width of pipe coupling:
 FLEX / OPEN-FLEX 3.5 LV = 310 mm
 FLEX / OPEN-FLEX 3.5 H = 311 mm
- DV Outside diameter of the coupling installed = OD+38 mm
- C Distance between sealing lips = 227 mm
- R_{max.} Distance between pipe ends with strip insert = 120 mm
 Distance between pipe ends without strip insert = 20 mm

| Pipe OD [mm] | Clamping range [mm] | Working pressure PS [bar] | | Torque rate [Nm] | |
|---------------------|------------------------|---------------------------|------------------|------------------|-----|
| | | LV (LDX) | H | LV (LDX) | H |
| 323.9 ⁵ | 320 - 327 | 25.0 | 25.0 | 50 | 50 |
| 355.6 ⁵ | 352 - 370 | 25.0 | 25.0 | 50 | 50 |
| 406.4 ⁵ | 402 - 410 | 25.0 | 25.0 | 50 | 50 |
| 457.2 ⁵ | 453 - 461 | 25.0 | 25.0 | 50 | 50 |
| 508.0 ⁵ | 504 - 512 | 23.0 | 23.0 | 50 | 50 |
| 558.8 ⁵ | 555 - 563 | 21.0 | 21.0 | 50 | 50 |
| 609.6 ⁵ | 605 - 614 | 19.0 | 19.0 | 50 | 50 |
| 655.0 ⁵ | 651 - 659 | 17.0 | 17.0 | 50 | 50 |
| 711.2 ⁵ | 707 - 715 | 16.0 | 16.0 | 50 | 50 |
| 762.0 ⁵ | 758 - 766 | 15.0 | 15.0 | 50 | 50 |
| 812.8 ⁵ | 809 - 817 | 14.0 | 14.0 | 50 | 50 |
| 914.4 ⁵ | 910 - 918 | 12.0 | 12.0 | 60 | 60 |
| 1016.0 ⁵ | 1011 - 1021 | 11.0 | 11.0 | 60 | 60 |
| 1117.6 ⁵ | 1112 - 1123 | 10.0 | 10.0 | 70 | 70 |
| 1219.2 ⁵ | 1214 - 1224 | 9.0 | 9.0 | 80 | 80 |
| 1422.4 | 1417 - 1427 | 7.0 | 8.0 | 80 | 80 |
| 1524.0 | 1519 - 1529 | 7.0 | 7.5 | 80 | 80 |
| 1625.0 | 1620 - 1630 | 6.0 | 7.0 | 90 | 90 |
| 1727.2 | 1722 - 1732 | 6.0 | 6.5 | 90 | 90 |
| 1828.8 | 1824 - 1834 | 5.0 | 6.0 | 110 | 100 |
| 1930.4 | 1925 - 1935 | 4.5 | 5.5 | 110 | 110 |
| 2032.0 | 2026 - 2038 | 4.0 | 5.0 | 120 | 120 |
| 2268.0 | 2262 - 2274 | 3.5 | 4.5 | 130 | 130 |
| 2540.0 | 2534 - 2546 | 3.0 | 4.0 | 140 | 140 |
| 2794.0 | 1788 - 2800 | 2.5 | 3.5 | 140 | 140 |
| 3048.0 | 3042 - 3054 | 2.0 | 3.0 | 160 | 160 |
| 3302.0 | 3296 - 3308 | 1.5 ³ | 3.0 ³ | 170 | 170 |
| 3556.0 | 3550 - 3562 | 1.5 ³ | 3.0 ³ | 180 | 180 |
| 3810.0 | 3804 - 3816 | 1.0 ³ | 2.5 ³ | 190 | 190 |
| 4064.0 | 4058 - 4070 | 1.0 ³ | 2.5 ³ | 210 | 210 |

STRAUB produces custom made couplings from 323.9 up to 4064.0 mm

Remarks:

- Follow fitting / disassembly instructions
- PS = Working pressure considering the application loads
 Test pressure = PS x 1.5 (for example industry, water supply etc.)
 Burst pressure = approx. PS x 2
- Strip inserts are required for special applications (included)
- LV(LDX)-version in W5
- H-version in W1

³ Available in three-piece version only

⁵ STRAUB-FLEX available in one-piece version as well

For IPS sizes in bold see technical manual for actual OD

Typing errors may occur. Technical details are subject to change