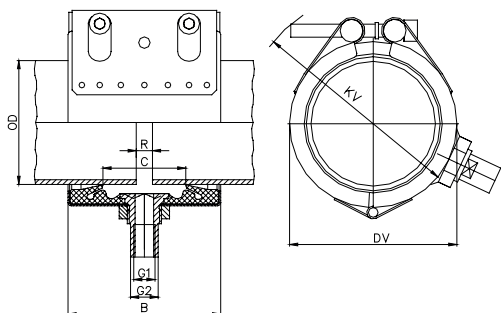


## STRAUB-OPEN-FLEX 1L GT Ø 73.0 - 168.3 mm

Components / Materials	W1	W2	W4	W5
Casing		AISI 316 L / 316 TI		AISI 316 L / 316 TI
Bolts		AISI 4135		A4 - 80
Bars		AISI 12 L 14, galvanised		AISI 316 L
<b>Sealing sleeve EPDM</b>	Temp.: -20°C up to +70°C	Medium: all qualities of water, waste water, air, solids and chemical products		
<b>Sealing sleeve NBR</b>	Temp.: -20°C up to +70°C	Medium: water, gas, oil, fuel and other hydrocarbons		



OD [mm]	Clamping range [mm]	PS [bar]	B [mm]	C [mm]	DV [mm]	KV [mm]	G1 [Zoll]	G2 [Zoll]	Torque rate [Nm]
<b>73.0</b>	<b>71.5 - 74.5</b>	<b>16.0</b>	<b>94</b>	<b>51</b>	<b>95</b>	<b>117</b>	<b>1/4</b>	<b>1/2</b>	<b>10</b>
<b>76.1</b>	<b>74.5 - 77.5</b>	<b>16.0</b>	<b>94</b>	<b>51</b>	<b>98</b>	<b>122</b>	<b>1/4</b>	<b>1/2</b>	<b>10</b>
84.0	82.5 - 85.5	16.0	94	51	106	127	1/4	1/2	10
<b>88.9</b>	<b>87.5 - 90.5</b>	<b>16.0</b>	<b>94</b>	<b>51</b>	<b>111</b>	<b>132</b>	<b>1/4</b>	<b>1/2</b>	<b>10</b>
100.6	99.0 - 102.5	16.0	94	51	123	147	1/4	1/2	10
<b>101.6</b>	<b>100.0 - 103.5</b>	<b>16.0</b>	<b>94</b>	<b>51</b>	<b>124</b>	<b>147</b>	<b>1/4</b>	<b>1/2</b>	<b>10</b>
104.0	102.5 - 105.5	16.0	94	51	126	147	1/4	1/2	10
104.8	103.0 - 106.5	16.0	94	51	127	147	1/4	1/2	10
108.0	106.5 - 109.5	16.0	94	51	130	152	1/4	1/2	10
<b>114.3</b>	<b>112.5 - 116.0</b>	<b>16.0</b>	<b>94</b>	<b>51</b>	<b>136</b>	<b>157</b>	<b>1/4</b>	<b>1/2</b>	<b>10</b>
118.0	116.0 - 120.0	16.0	94	51	140	162	1/4	1/2	10
127.0	125.0 - 129.0	16.0	107	62	149	165	3/4	1	12
129.0	127.0 - 131.0	16.0	107	62	151	165	3/4	1	12
130.2	128.5 - 132.0	16.0	107	62	152	165	3/4	1	12
133.0	131.0 - 135.0	16.0	107	62	155	170	3/4	1	12
<b>139.7</b>	<b>138.0 - 141.5</b>	<b>16.0</b>	<b>107</b>	<b>62</b>	<b>162</b>	<b>175</b>	<b>3/4</b>	<b>1</b>	<b>12</b>
141.3	139.5 - 143.0	16.0	107	62	163	180	3/4	1	12
154.0	152.0 - 156.0	16.0	107	62	176	190	3/4	1	12
159.0	157.0 - 161.0	16.0	107	62	181	195	3/4	1	12
<b>168.3</b>	<b>166.0 - 170.5</b>	<b>16.0</b>	<b>107</b>	<b>62</b>	<b>190</b>	<b>205</b>	<b>3/4</b>	<b>1</b>	<b>12</b>

### Remarks:

- Follow fitting / disassembly instructions
- PS = Working pressure considering the application loads  
Test pressure = PS x 1.5 (for example industry, water supply etc.)  
Burst pressure = approx. PS x 2
- Strip inserts not to be applied / not suitable for vacuum applications
- STRAUB-OPEN-FLEX 2 GT, 3 GT, 3.5 GT and 4 GT with outlet G3/4" / 1" available as well; other outlets on request

For IPS sizes in bold see technical manual for actual OD