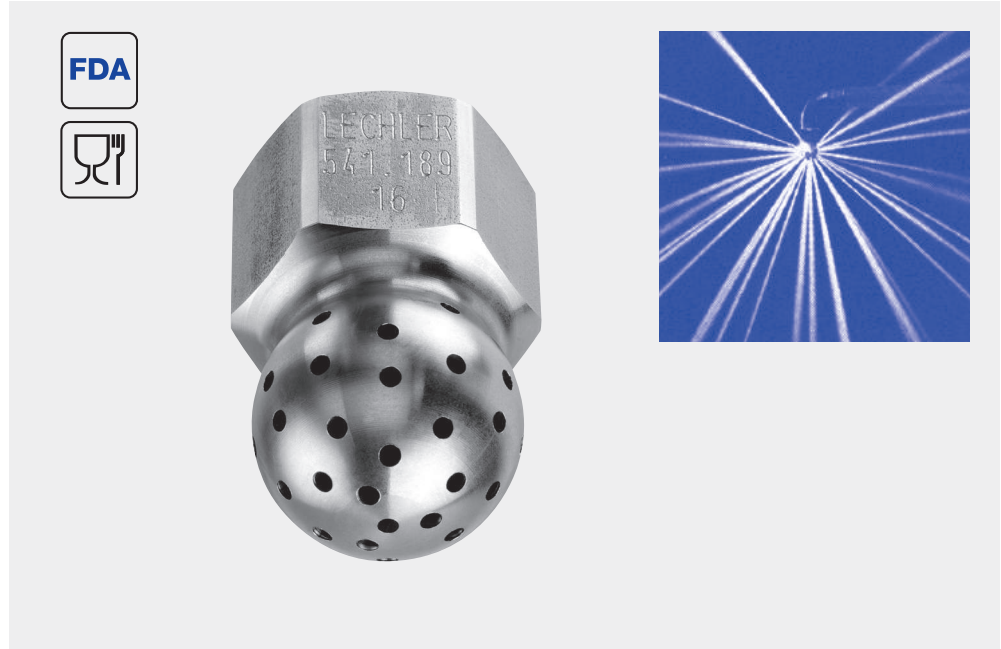




Static spray balls Series 540/541

Series 540/541

The robust series 540/541 have a threaded connection and an especially compact design. They can also be used at high temperatures as well as for the output of steam and air.



Max. tank diameter [m]



Material
303 SS



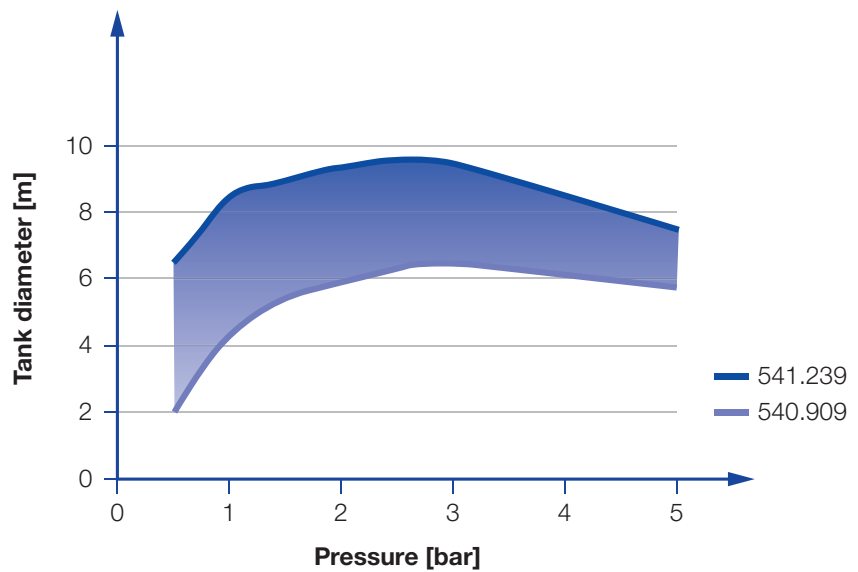
Max. temperature
200 °C



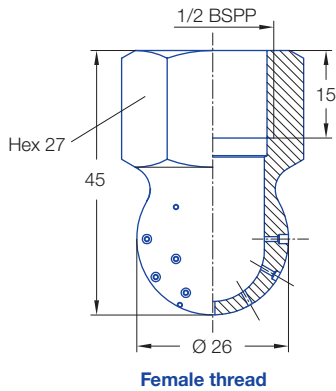
Recommended operating pressure
3 bar





Installation
Operation in every direction is possible



Overview of the tank diameter, depending upon the pressure of series 540/541



Spray angle 	Ordering number Type	E Ø [mm]	\dot{V} [l/min]					Max. tank diameter [m]
			p [bar] ($p_{max} = 10$ bar)					
			0.5	1	2	3	at 40 psi [US gal./ min]	
	540.909.16	0.8	9	13	18	22	6	6.5
	540.989.16	1.0	14	20	28	34	9	7.0
	541.109.16	1.5	29	40	57	70	18	7.5
	541.189.16	2.0	45	64	90	110	28	8.3
	541.239.16	2.3	59	83	118	145	37	9.5

E = narrowest free cross-section · NPT on request

The maximum tank diameter shown above applies for the recommended operating pressure and is indicative only. The cleaning result is also affected by the type of soiling.

Information on operation

In most applications, static spray balls do not deliver the same cleaning power as rotating nozzles, anyway they do have advantages that make them indispensable for certain tasks:

- No moving parts
- Self-draining
- Easy to inspect
- Proven use in hygienically sensitive environments

Should a rotating nozzle stop turning for some reason, parts of the tank may remain uncleaned. This cannot happen with spray balls. However, gaps can occur in the spray pattern if individual openings are blocked with soil.

Compared to rotating nozzles, static spray balls usually need two to three times the amount of liquid.