



Rotating cleaning nozzle »XactClean® HP« Series 5S2 / 5S3

NEW

Series 5S2 / 5S3

Specially developed flat fan nozzles provide high impact and uniform cleaning for the XactClean® HP. The controlled rotation ensures that the XactClean® HP works extremely efficient. Thanks to the robust drive unit the XactClean® HP is very reliable and ensures increased operation liability. It is available in various spray angles and flow rates and is also compatible with the Lechler rotating monitoring sensor.



Function video

Scan the QR-code
or go to:
[www.lechler.de/
XactCleanHPGB](http://www.lechler.de/XactCleanHPGB)



Max. tank diameter [m]



Materials

Stainless steel
AISI 316L, stainless
steel AISI 316, PEEK,
PTFE, Zirconium
oxide, EPDM



Max. temperature

95 °C



Recommended operating pressure

5 bar



Installation

Operation in every
direction is possible



Filtration

Line strainer with
a mesh size of
0.3 mm/50 mesh



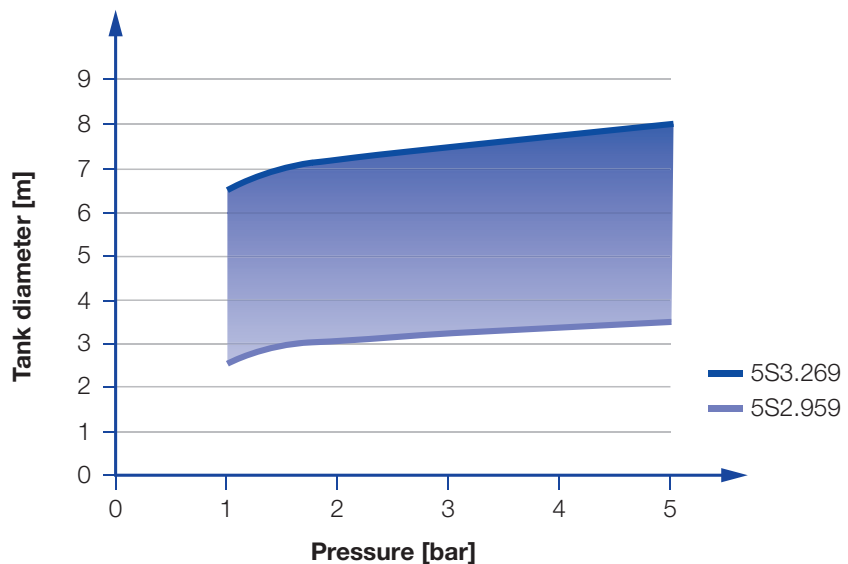
Bearing

Double ball bearing

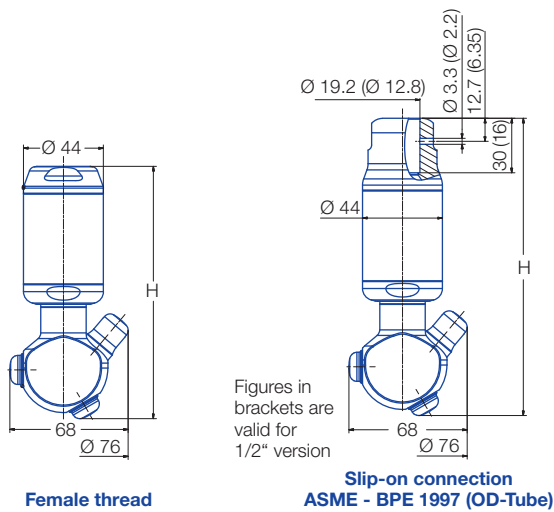


Rotation monitoring sensor

Sensor compatible
Info: see page 60



Overview of the tank diameter, depending upon the pressure of series 5S2 / 5S3



Nozzle dimensions [mm]

Connection	H
AF	148
AH	149
AL	139
AN	139
TF05	150
TF07	164

Spray angle	Ordering no.							E Ø [mm]	V̇ [l/min]				Max. tank diameter [m]
	Type	Connection							p [bar] (p _{max} = 15 bar)				
		3/8 BSPP* female	1/2 BSPP* female	3/4 BSPP* female	1 BSPP* female	1/2" Slip-on	3/4" Slip-on		2	5	10	at 40 psi [US gal./min]	
270°	5S2.955.1Y	AF	AH	-	-	TF05	-	2.0	25	40	57	7.8	3.5
	5S3.055.1Y	-	AH	-	-	TF05	-	2.0	41	65	92	12.8	4.0
	5S3.115.1Y	-	AH	AL	-	-	TF07	2.0	60	94	133	18.4	6.0
	5S3.185.1Y	-	-	AL	-	-	TF07	2.0	89	141	199	27.7	7.0
	5S3.235.1Y	-	-	AL	-	-	TF07	2.0	111	175	248	34.3	7.5
	5S3.265.1Y	-	-	AL	AN	-	TF07	2.0	135	213	301	41.8	8.0
270°	5S2.956.1Y	AF	AH	-	-	TF05	-	2.0	25	40	57	7.8	3.5
	5S3.056.1Y	-	AH	-	-	TF05	-	2.0	41	65	92	12.8	4.0
	5S3.116.1Y	-	AH	AL	-	-	TF07	2.0	60	94	133	18.4	6.0
	5S3.186.1Y	-	-	AL	-	-	TF07	2.0	89	141	199	27.7	7.0
	5S3.236.1Y	-	-	AL	-	-	TF07	2.0	111	175	248	34.3	7.5
	5S3.266.1Y	-	-	AL	AN	-	TF07	2.0	135	213	301	41.8	8.0
360°	5S2.959.1Y	AF	AH	-	-	TF05	-	1.7	25	40	57	7.8	3.5
	5S3.059.1Y	-	AH	-	-	TF05	-	2.0	41	65	92	12.8	4.0
	5S3.119.1Y	-	AH	AL	-	-	TF07	2.0	60	94	133	18.4	6.0
	5S3.189.1Y	-	-	AL	-	-	TF07	2.0	89	141	199	27.7	7.0
	5S3.239.1Y	-	-	AL	-	-	TF07	2.0	111	175	248	34.3	7.5
	5S3.269.1Y	-	-	AL	AN	-	TF07	2.0	135	213	301	41.8	8.0

E = Narrowest free cross-section · *NPT on request

The maximum tank diameter shown above applies for the recommended operating pressure and is indicative only. The cleaning result is also affected by the type of soiling.

Information on operation

- Operation with compressed air only for short-term usage. Operation above the recommended operating pressure means higher wear and smaller droplets. This might have adverse effects on the cleaning result.

Slip-on information

- R-clip made of stainless steel AISI 316L is included (Ordering no.: 095.022.1Y.50.60.E (5S3), 095.013.1E.05.59.0 (5S2)).
- Depending on diameter of the adapter the flow rate can increase due to leakage between connecting pipe and rotating cleaning nozzle.

Example	Type	+	Connection	=	Ordering no.
of ordering:	5S2.955.1Y.	+	AF	=	5S2.955.1Y.AF