



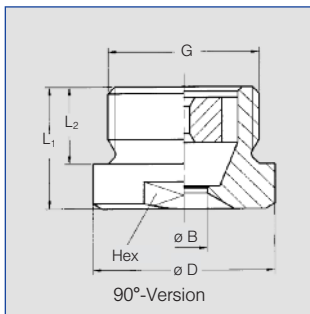
# Axial-flow full cone nozzles

## Series 403



### Very uniform spray pattern.

Applications:  
Surface spraying, spraying over packings, chemical process engineering, cooling of gaseous fluids and solids.

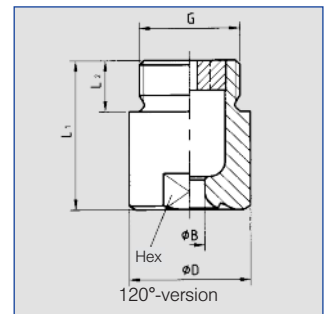


#### 90°-version

Type	BSPP	Dimensions [mm]			
		L <sub>1</sub>	L <sub>2</sub>	D	Hex
403.446/403.486	2 1/2"	52	27	83	75
403.526	3"	60	30	98	85
403.606	3 1/2"	70	32	118	105

#### 120°-version

Type	BSPP	Dimensions [mm]			
		L <sub>1</sub>	L <sub>2</sub>	D	Hex
403.448/403.488	2 1/2"	124	27	83	75
403.528	3"	153	30	98	85
403.568/403.608	3 1/2"	156	32	118	105
403.628	4"	165	36	128	110



Spray angle	Ordering no.		B Ø [mm]	E Ø [mm]	V̇ [l/min]							Spray diameter D at p=2 bar	
	Type	Mat.-no.			p [bar]							H = 0,5 m	H = 1 m
					0,3	0,5	1,0	2,0	3,0	5,0	7,0		
90°	403.446	- ○	25,00	12,00	187	230	303	400	470	577	660	900	1700
	403.486	- ○	29,50	12,00	234	287	379	500	588	721	825	900	1700
	403.526	- ○	32,00	13,80	295	362	477	630	741	909	1040	900	1700
	403.606	- ○	40,00	15,00	468	574	758	1000	1176	1443	1651	980	1750
120°	403.448	○ ○	25,50	10,00	187	230	303	400	470	577	660	1500	2850
	403.488	○ ○	29,50	11,00	234	287	379	500	588	721	825	1500	2850
	403.528	- ○	32,00	15,00	295	362	477	630	741	909	1040	1500	2850
	403.568	○ ○	38,00	12,00	375	459	606	800	941	1154	1320	1500	2850
	403.608	- ○	42,00	12,00	469	574	759	1000	1176	1443	1651	1500	2850
	403.628	- ○	45,00	15,00	585	718	947	1250	1470	1903	2063	1600	2900

B = bore diameter · E = narrowest free cross section

<b>Example for ordering:</b>	<b>Type</b>	<b>+</b>	<b>Material no.</b>	<b>=</b>	<b>Ordering no.</b>
	403.446	+	17	=	403.446.17

The folded page at the end of the catalogue will give you a survey on the various assembly possibilities. For complete assembly accessories, please refer to „Accessories“.