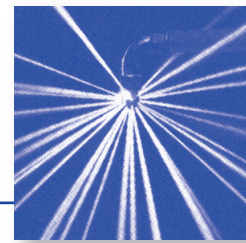




Cluster solid stream nozzle

Series 540/541

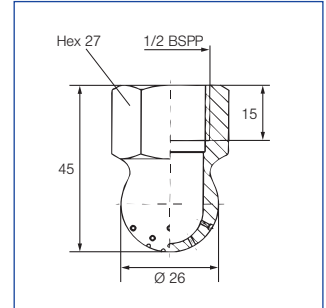
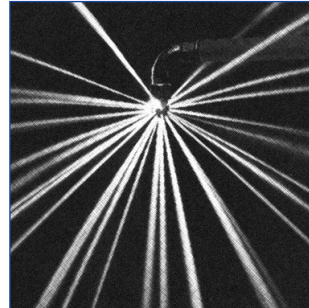



Several sharp solid jets.

Also to use with air or saturated steam (see chapter „Air nozzles“).

Application

Storage tank cleaning, aerating of bulk goods, recycling of liquids, as well as for accelerating chemical process reactions.



Spray angle 	Ordering no. Type	E Ø [mm]	\dot{V} [l/min]			
			p [bar]			
			0,5	2	5	40 psi [US gal./min]
approx. 240°	540.909.16	0.8	9.0	18.0	28.5	5.6
	540.989.16	1.0	14.0	28.0	44.3	8.7
	541.109.16	1.5	28.5	57.0	90.1	17.7
	541.189.16	2.0	45.0	90.0	142.3	27.9
	541.239.16	2.3	59.0	118.0	186.6	36.6

E = narrowest free cross section